

NOTES:

- FIG.1 AND FIG.2 ARE ALTERNATE ARRANGEMENTS, FOR PREFERRED DEFAULT ARRANGEMENTS SEE DU11-101-0500/0501, DU11-102-0500/0501/0502, OR DU11-103-0500/0501.
- FIG.1 REPRESENTS TYPICAL FRONT PORCH SURFACE MOUNT INSTALLATION, FOR TYPICAL FRONT PORCH OR DRIVEWAY RECESSED INSTALLATION SEE FIG.2.
- PVC CONDUIT AND SWEEP UNDER THE FRONT PORCH SLAB ARE CUSTOMER OWNED AND MUST BE CONCRETE ENCASED AND INSTALLED PER ONTARIO BUILDING CODE (OBC) AND ONTARIO ELECTRICAL SAFETY CODE (OESC).
- REGULAR OR REDUCED COVER TRENCH PER APPROVED SECONDARY SERVICE CABLE TRENCH DETAIL, SEE DU11-101-0500/0501, DU11-102-0500/0501/0502 OR DU11-103-0500/0501.
- ALL DUCTS TO BE MANDRELLED AND CLEANED AFTER INSTALLATION. ALL DUCTS TO HAVE 1/2" POLYESTER PULLING TAPE INSTALLED.
- INSTALL METER COMPARTMENT AS PER ONTARIO ELECTRICAL SAFETY CODE (OESC), USE ONLY HYDRO ONE APPROVED METER BASES LISTED IN THE HYDRO ONE "METER SOCKET BASE" LIST.
- FLEXIBLE CONDUIT, WITH APPROVED COUPLER MAY BE INSTALLED, FOR REDUCED COVER SCHEDULE 40 PVC CONDUIT MAY BE INSTALLED, PER NOTE 4 ABOVE.
- PART#S MARKED WITH "\*" ARE SUPPLIED BY CUSTOMER; MM#S OF SUCH PARTS ARE FOR REFERENCE ONLY.
- THE METER BASE CONDUITS WILL VARY IN SIZE DEPENDING ON CONDUCTOR SIZE (i.e. 2" DIAMETER FOR 3/0 AWG, 3" FOR 250 kcmil or 500 kcmil CONDUCTOR). ONLY ONE SERVICE CABLE PERMITTED PER CONDUIT.
- THE SUPPLY SERVICE CABLE AT THE METER BASE SHALL BE HOUSED IN ITS OWN DISTINCT CUSTOMER SUPPLIED CONDUIT (CONDUIT SHALL NOT HOUSE ANY OTHER PLANT), AND SHALL NOT HAVE ANY ACCESS PORT (LB CONDUIT FITTING, JUNCTION BOX, ETC.). ANY MODIFICATION TO CUSTOMER OWNED METER-BASE WHICH VOIDS CSA CERTIFICATION IS NOT PERMITTED.
- METER BASE TO MAINTAIN 1m MINIMUM CLEARANCE FROM DISCHARGE OF ANY COMBUSTIBLE GAS RELIEF DEVICE OR VENT. IF 1m CLEARANCE IS NOT AVAILABLE IT CAN BE REDUCED TO 0.3m MINIMUM CLEARANCE WHICH IS ONLY APPLICABLE IF REGULATORS EQUIPPED WITH CERTIFIED OVERPRESSURE CUT-OFF/SHUT-OFF WITH LIMITED OR NO RELIEF IS INSTALLED FOR THE GAS DISCHARGE OPENING, THE OVERPRESSURE RELIEF DEVICES MUST BE MARKED "LR-OPCO", "P-OPCO" OR "OPSO".

ALL DIMENSIONS IN CENTIMETRES UNLESS OTHERWISE STATED

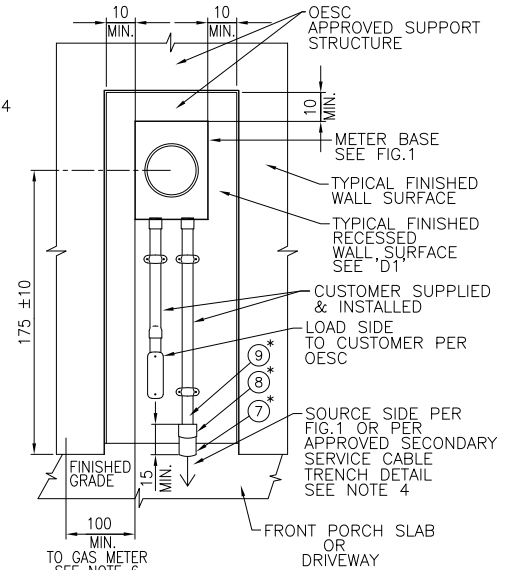


FIG.2  
TYPICAL RECESSED WALL TRANSITION  
SEE NOTES 1 & 2

PARTS LIST

PART No.	MM No.	DESCRIPTION	QTY.
1	30031918	COUPLER KIT, 4", FLEX TO 4" RIGID	A/R
2	30031917	CONDUIT, FLEX, 4"	A/R
3	30005908	SERVICE CABLE, 3/0 AWG, 3-COND., AL.	A/R
	30005915	SERVICE CABLE, 250kcmil, 3-COND., AL.	A/R
4	*	CONDUIT, PVC, 4", DB2	A/R
5	20002181	CAUTION TAPE, BURIED ELECTRIC LINE	A/R
6	*	SWEEP, 4" x 24" RADIUS, SCHEDULE 40, PVC	A/R
7	*	CONDUIT, 4", SCHEDULE 40, PVC	A/R
8	30031602	CAP, 4", SCHEDULE 40, PVC	A/R
9	20000007	TAPE, PULLING, 1/2" WIDE, POLYESTER	A/R
10	30031626	COUPLER, 4", DB2 TO 4" RIGID	A/R
MM# = REFER TO SECTION 16 ONLY			A/R = AS REQUIRED
* = SUPPLIED BY CUSTOMER - SEE NOTE 8			

01	SEPT 2023	ORIGINAL DU-03-209.3-0500-R01 IS NOW SUPERSEDED BY THIS NEW DRAWING/REVISION. CHANGED TO SECTION 11. GENERAL UPDATES. UPDATE NOTE 6. ADDED NOTES 10 & 11. CHANGED TO NEW DWG. & NUMBERING FORMAT.	PC	MM	MM	MM
Rev No.	Date	Revision Particulars	dwn	ckd	des	app

Drawn By: PC	Checked By: M.MATEVSKI	Designed By: M.MATEVSKI	Design Approved By: M.MATEVSKI P.Eng.
Scale: N.T.S.	Date: (yyyy/mm/dd) 2022/05/03	Pole ID:	

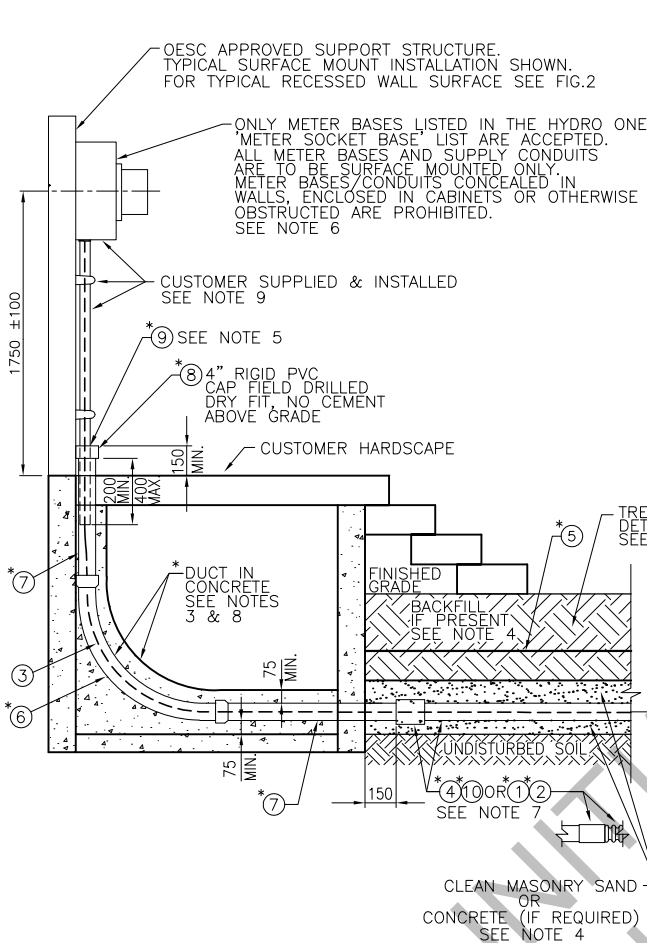


© Copyright Hydro One Networks Inc. All rights reserved. This drawing may not be reproduced or copied, in whole or in part, in any printed, mechanical, electronic, film, or other distribution and storage media or used in any information storage or retrieval system outside of Hydro One Networks Inc., without the written consent of Hydro One Networks Inc.  
Information contained in this drawing is considered to be confidential. Recipients shall only use the drawing for its intended purpose and shall take necessary measures to prevent disclosure or transmission to outside parties.

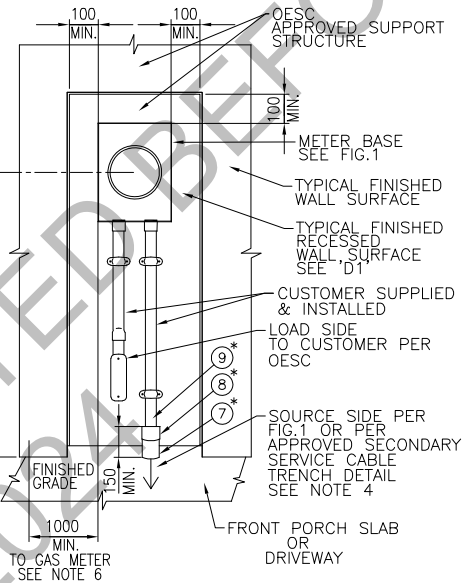
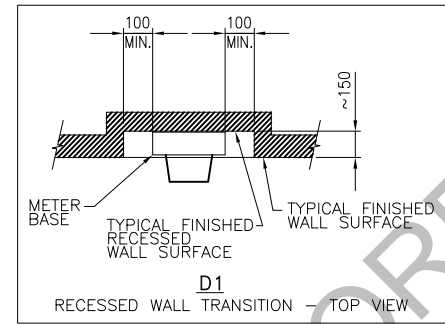
Title:  
TRENCH DETAIL - SECONDARY SERVICE CABLE FROM UNDERGROUND TRENCH TO METER BASE UP TO 200A ALTERNATE ARRANGEMENTS, 1Ø, 120/240V

Drawing No. DU11-104-0500	Rev. No. 01
------------------------------	----------------

TITLE BLOCK REV 02 - AUGUST 2014



**FIG.1**  
TYPICAL FRONT PORCH SLAB TRANSITION  
SEE NOTE 1 & 2



**FIG.2**  
TYPICAL RECESSED WALL TRANSITION  
SEE NOTES 1 & 2

**NOTES:**

- FIG.1 AND FIG.2 ARE ALTERNATE ARRANGEMENTS. FOR PREFERRED DEFAULT ARRANGEMENTS SEE DU-03-209-0500, DU-209.1-0500 OR DU-03-209.2-0500.
- FIG.1 REPRESENTS TYPICAL FRONT PORCH SURFACE MOUNT INSTALLATION. FOR TYPICAL FRONT PORCH OR DRIVEWAY RECESSED INSTALLATION SEE FIG.2.
- PVC CONDUIT AND SWEEP UNDER THE FRONT PORCH SLAB ARE CUSTOMER OWNED AND MUST BE CONCRETE ENCASED AND INSTALLED PER ONTARIO BUILDING CODE (OBC) AND ONTARIO ELECTRICAL SAFETY CODE (OESC).
- REGULAR OR REDUCED COVER TRENCH PER APPROVED SECONDARY SERVICE CABLE TRENCH DETAIL. SEE DU-03-209-0500, DU-209.1-0500 OR DU-03-209.2-0500.
- ALL DUCTS TO BE MANDRELLED AND CLEANED AFTER INSTALLATION. ALL DUCTS TO HAVE 1/2" POLYESTER PULLING TAPE INSTALLED.
- INSTALL METER COMPARTMENT AS PER ELECTRICAL SAFETY CODE (OESC), USE ONLY HYDRO ONE APPROVED METER BASES LISTED IN THE HYDRO ONE 'METER SOCKET BASE' LIST. METER BASE TO MAINTAIN 1m MINIMUM CLEARANCE FROM DISCHARGE OF ANY COMBUSTIBLE GAS RELIEF DEVICE OR VENT.
- FLEXIBLE CONDUIT, WITH APPROVED COUPLER MAY BE INSTALLED. FOR REDUCED COVER SCHEDULE 40 PVC CONDUIT MAY BE INSTALLED, PER NOTE 4 ABOVE.
- PART#S MARKED WITH "\*" ARE SUPPLIED BY CUSTOMER; MM#S OF SUCH PARTS ARE FOR REFERENCE ONLY.
- THE METER BASE CONDUITS WILL VARY IN SIZE DEPENDING ON CONDUCTOR SIZE (i.e. 2" DIAMETER FOR 3/0 AWG, 3" FOR 250 kcmil or 500 kcmil CONDUCTOR). ONLY ONE SERVICE CABLE PERMITTED PER CONDUIT.

ALL DIMENSIONS IN MILLIMETRES  
UNLESS OTHERWISE STATED

PARTS LIST			
PART No.	MM No.	DESCRIPTION	QTY.
1	30031918	COUPLER KIT, 4", FLEX TO 4" RIGID	A/R
2	30031917	CONDUIT, FLEX, 4"	A/R
3	30005908	SERVICE CABLE, 3/0 AWG, 3-COND., AL.	A/R
	30005915	SERVICE CABLE, 250Kcmil, 3-COND., AL.	A/R
4	*	CONDUIT, PVC, 4", DB2	A/R
5	20002181	CAUTION TAPE, BURIED ELECTRIC LINE	A/R
6	*	SWEEP, 4" x 24" RADIUS, SCHEDULE 40, PVC	A/R
7	*	CONDUIT, 4", SCHEDULE 40, PVC	A/R
8	30031602	CAP, 4", SCHEDULE 40, PVC	A/R
9	20000007	TAPE, PULLING, 1/2" WIDE, POLYESTER	A/R
10	30031626	COUPLER, 4", DB2 TO 4" RIGID	A/R
MM# = REFER TO SECTION 16 ONLY			A/R = AS REQUIRED
* = SUPPLIED BY CUSTOMER - SEE NOTE 8			

01	APR 2022	ADDED NEW PART # 10, ADDED NOTE 9. UPDATED FIG.1 LAYOUT DIMENSION AND CLARIFIED OPTIONS FOR APPLICABLE PARTS.	PC	MM	KA	MM
Rev No.	Date	Revision Particulars	dwn	ckd	des	app

Drawn By: P.C.	Checked By: M.MATEVSKI	Designed By: S.JASSAL	Design Approved By: M.MATEVSKI
Scale: N.T.S.	Date: (yyyy/mm/dd) 2021/03/03	Pole ID:	

**hydro one** Hydro One Networks Inc.

Title:  
**TRENCH DETAIL – SECONDARY SERVICE CABLE FROM UNDERGROUND TRENCH TO METER BASE UP TO 200A ALTERNATE ARRANGEMENTS, 1Ø, 120/240V**

© Copyright Hydro One Networks Inc. All rights reserved. This drawing may not be reproduced or copied, in whole or in part, in any printed, mechanical, electronic, film, or other distribution and storage media or used in any information storage or retrieval system outside of Hydro One Networks Inc., without the written consent of Hydro One Networks Inc.  
Information contained in this drawing is considered to be confidential. Recipients shall only use the drawing for its intended purpose and shall take necessary measures to prevent disclosure or transmission to outside parties.

Drawing No. <b>DU-03-209.3-0500</b>	Rev. No. <b>01</b>
--	-----------------------

TITLE BLOCK REV 02 – AUGUST 2014