

NOTES:

1. CONTINUE MECHANICAL PROTECTION FROM SHORELINE UNTIL HYDRO ONE EQUIPMENT OR MINIMUM REQUIRED COVER IS REACHED.
2. FOR TRENCH DEPTHS AND COVER SEE SUB-SECTION 6-2.
3. CONTINUE MECHANICAL PROTECTION 6m MINIMUM FROM LOW WATER MARK OR UNTIL MINIMUM WATER COVERAGE IS REACHED.
4. STAINLESS STEEL ARMOUR RODS ARE ONLY TO BE APPLIED ON FULLY ENCAPSULATED JACKETED CABLES. APPLY RODS BEGINNING WITH ALTERNATING FULL AND HALF LENGTH SEGMENTS (CAN BE FIELD CUT WITH A HACKSAW) TO ENSURE BUTT JOINTS ARE STAGGERED.

PARTS LIST

PART No.	MM No.	DESCRIPTION	QTY.
1	30034145	STAINLESS STEEL ARMOUR RODS, FOR 28kv CABLES	A/R
2	30034144	STAINLESS STEEL ARMOUR RODS, FOR 15kv CABLES	A/R

MM# = REFER TO SECTION 16 ONLY A/R = AS REQUIRED

ALL DIMENSIONS IN CENTIMETRES
UNLESS OTHERWISE STATED

01	SEPT 2023	ORIGINAL DU-06-405.3-0500-R0 IS NOW SUPERSEDED BY THIS NEW DRAWING/REVISION. CHANGED TO SECTION 3. GENERAL UPDATES.	PC	MM	AS	MM
Rev No.	Date	Revision Particulars	dwn	ckd	des	app

Drawn By: PC	Checked By: M.MATEVSKI	Designed By: A.SAVOIE	Design Approved By: M.MATEVSKI P.Eng.
Scale: N.T.S.	Date: (yyyy/mm/dd) 2021/10/05	Pole ID:	

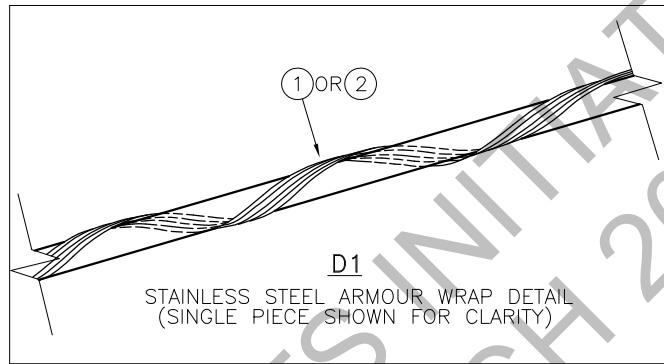
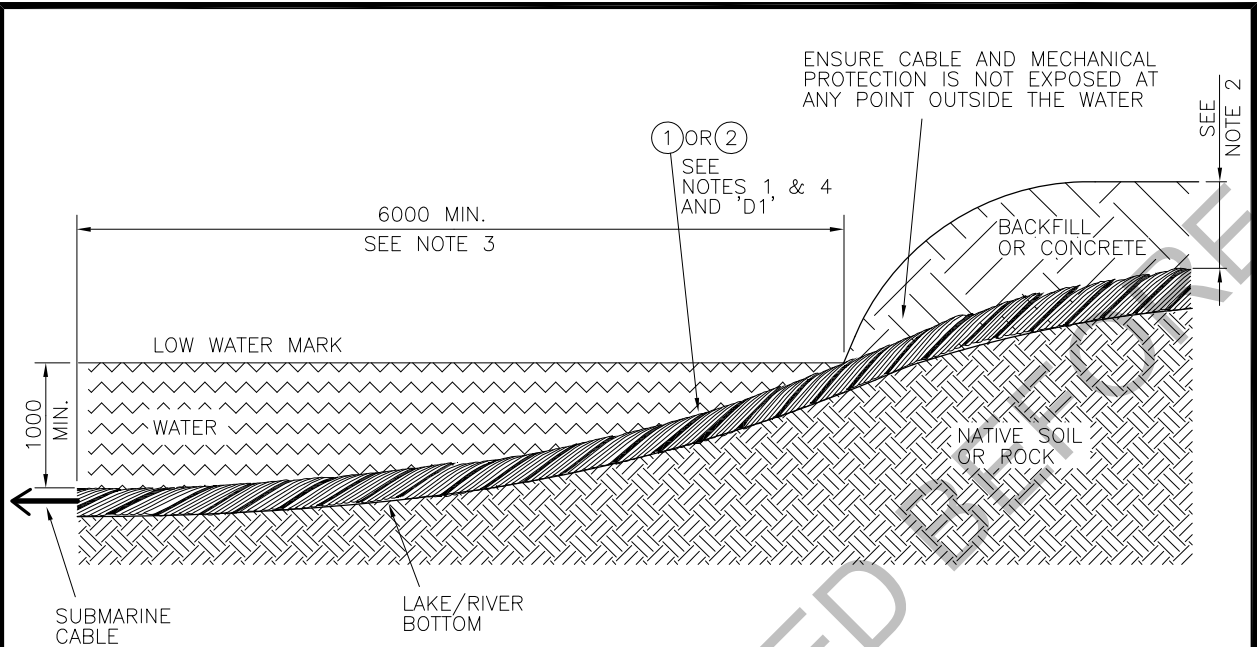


Hydro One Networks Inc.

© Copyright Hydro One Networks Inc. All rights reserved. This drawing may not be reproduced or copied, in whole or in part, in any printed, mechanical, electronic, film, or other distribution and storage media or used in any information storage or retrieval system outside of Hydro One Networks Inc., without the written consent of Hydro One Networks Inc.
Information contained in this drawing is considered to be confidential. Recipients shall only use the drawing for its intended purpose and shall take necessary measures to prevent disclosure or transmittal to outside parties.

Title: SHORELINE PROTECTION OF CABLES - HEAVY DUTY	Drawing No. DU3-303-0500	Rev. No. 01
---	-----------------------------	----------------

TITLE BLOCK REV 02 - AUGUST 2014



NOTES:

1. CONTINUE MECHANICAL PROTECTION FROM SHORELINE UNTIL HYDRO ONE EQUIPMENT OR MINIMUM REQUIRED COVER IS REACHED.
2. FOR TRENCH DEPTHS AND COVER SEE SECTION 6.
3. CONTINUE MECHANICAL PROTECTION 6m MINIMUM FROM LOW WATER MARK OR UNTIL MINIMUM WATER COVERAGE IS REACHED.
4. STAINLESS STEEL ARMOUR RODS ARE ONLY TO BE APPLIED ON FULLY ENCAPSULATED JACKETED CABLES. APPLY RODS BEGINNING WITH ALTERNATING FULL AND HALF LENGTH SEGMENTS (CAN BE FIELD CUT WITH A HACKSAW) TO ENSURE BUTT JOINTS ARE STAGGERED.

PARTS LIST

PART No.	MM No.	DESCRIPTION	QTY.
1	30034145	STAINLESS STEEL ARMOUR RODS, FOR 28kV CABLES	A/R
2	30034144	STAINLESS STEEL ARMOUR RODS, FOR 15kV CABLES	A/R
MM# = REFER TO SECTION 16 ONLY			A/R = AS REQUIRED

ALL DIMENSIONS IN MILLIMETRES UNLESS OTHERWISE STATED

Drawn By: SO	Checked By: PC	Designed By: A.SAVOIE	Design Approved By: P.SUPPIAH
Scale: N.T.S.	Date: (yyyy/mm/dd) 2018/10/10	Pole ID:	
Rev No.	Date	Revision Particulars	dwn ckd des app



© Copyright Hydro One Networks Inc. All rights reserved. This drawing may not be reproduced or copied, in whole or in part, in any printed, mechanical, electronic, film, or other distribution and storage media or used in any information storage or retrieval system outside of Hydro One Networks Inc., without the written consent of Hydro One Networks Inc.
Information contained in this drawing is considered to be confidential. Recipients shall only use the drawing for its intended purpose and shall take necessary measures to prevent disclosure or transmittal to outside parties.

Title:
SHORELINE PROTECTION OF CABLES – HEAVY DUTY

Drawing No.
DU-06-405.3-0500

Rev. No.
00