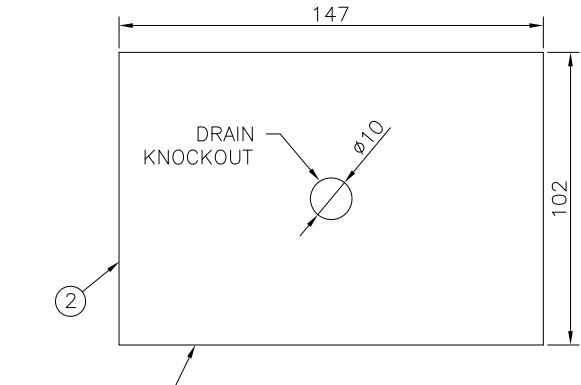
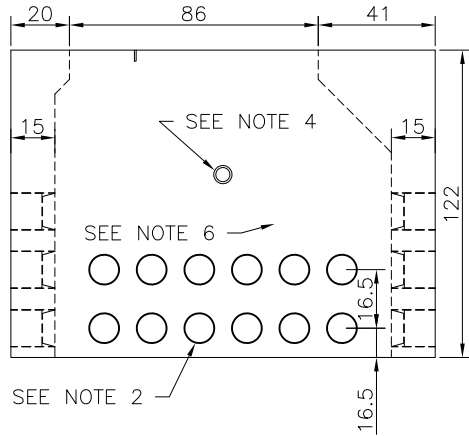


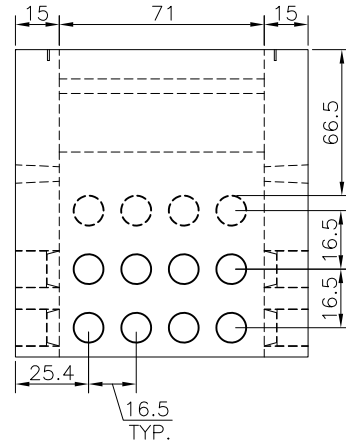
FOUNDATION
TOP VIEW



CONCRETE BASE
TOP VIEW



FOUNDATION
FRONT VIEW



FOUNDATION
SIDE VIEW

NOTES:

1. APPROXIMATE MASS OF FOUNDATION IS 1640 KG.
2. CABLE ENTRY OPENINGS: PVC SEALS FOR 10cm (4") DUCTS.
3. 1/2" x 2" UNC PLASTIC THREADED INSERT.
4. 5cm (2") LIFTING HOLE OR SWIFT LIFT SYSTEM.
5. A CONCRETE BASE (PART #2) IS AVAILABLE FOR INSTALLATIONS IN SOIL WITH POOR BEARING CAPACITY.
6. IF ADDITIONAL PORTS ARE SUPPLIED, IT IS PERMITTED, BUT NOT REQUIRED. USE THE APPRICATED PORTS BASED ON THE MINIMUM COVERING REQUIREMENT.

PARTS LIST

PART No.	MM No.	DESCRIPTION	QTY.
1	30031403	CONCRETE FOUNDATION – FOR CONVENTIONAL SINGLE PHASE TRANSF. – 48" DEEP, 48 PORTS OR	1
2	30031405	CONCRETE BASE – FOR CONVENTIONAL SINGLE PHASE TRANSFORMER	A/R
MM# = REFER TO SECTION 16 ONLY		A/R = AS REQUIRED	

ALL DIMENSIONS IN CENTIMETRES UNLESS OTHERWISE STATED

01	SEPT 2023	ORIGINAL DU-09-201.1-0500-R0 COMBINED WITH DU-09-101.1-0500-R0 ARE NOW SUPERSEDED BY THIS NEW DRAWING/REVISION. CHANGED TO SECTION 4. CHANGED TO NEW DWG. & NUMBERING FORMAT. ADDED NOTE 6 AND PARTS LIST.	PC	MM	XZ	MM	Drawn By: PC	Checked By: M.MATEVSKI	Designed By: X.ZHANG	Design Approved By: M.MATEVSKI P.Eng.
			Rev No.	Date	Revision Particulars	dwn	ckd	des	app	Scale: N.T.S.



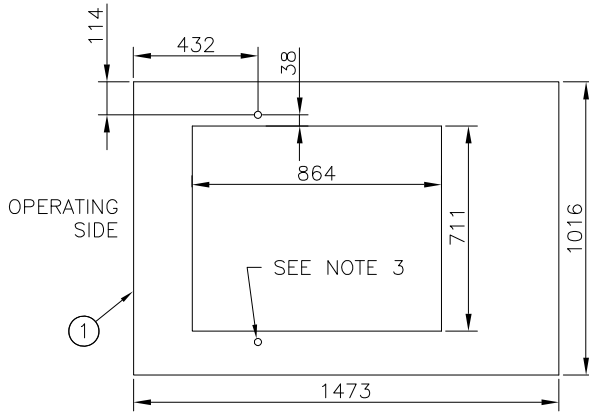
© Copyright Hydro One Networks Inc. All rights reserved. This drawing may not be reproduced or copied, in whole or in part, in any printed, mechanical, electronic, film, or other distribution and storage media or used in any information storage or retrieval system outside of Hydro One Networks Inc., without the written consent of Hydro One Networks Inc.
Information contained in this drawing is considered to be confidential. Recipients shall only use the drawing for its intended purpose and shall take necessary measures to prevent disclosure or transmittal to outside parties.

Title:
TYPICAL CONCRETE FOUNDATION
CONVENTIONAL 1-PH PAD-MOUNTED TRANSFORMER
48" DEEP FOUNDATION

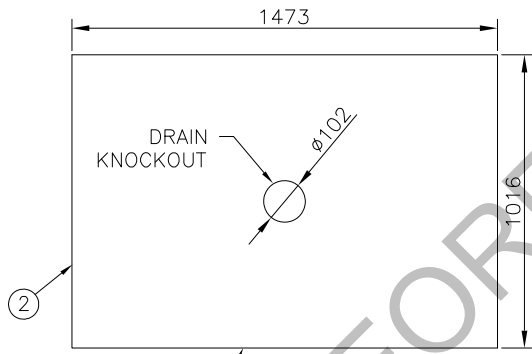
Drawing No.
DU4-101-0500

Rev. No.
01

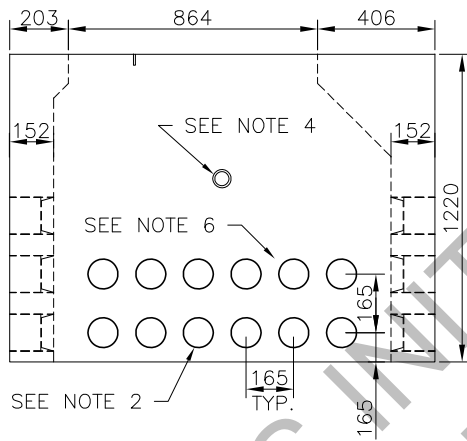
TITLE BLOCK REV 02 – AUGUST 2014



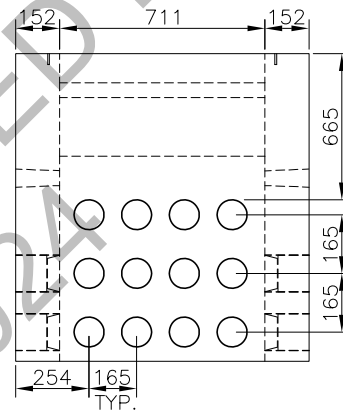
FOUNDATION
TOP VIEW



CONCRETE BASE
TOP VIEW



FOUNDATION
FRONT VIEW



FOUNDATION
SIDE VIEW

NOTES:

1. APPROXIMATE MASS OF FOUNDATION IS 2065 KG.
2. CABLE ENTRY OPENINGS: PVC SEALS FOR 10cm (4") DUCTS.
3. 1/2" x 2" UNC PLASTIC THREADED INSERT.
4. 5cm (2") LIFTING HOLE OR SWIFT LIFT SYSTEM.
5. A CONCRETE BASE (PART #2) IS AVAILABLE FOR INSTALLATIONS IN SOIL WITH POOR BEARING CAPACITY.
6. IF ADDITIONAL PORTS ARE SUPPLIED, IT IS PERMITTED, BUT NOT REQUIRED. USE THE APPRICATE PORTS BASED ON THE MINIMUM COVERING REQUIREMENT.

PARTS LIST

PART No.	MM No.	DESCRIPTION	QTY.
1	30031403	CONCRETE FOUNDATION – FOR CONVENTIONAL SINGLE PHASE TRANSF. – 48" DEEP, 48 PORTS OR	1
2	30031405	CONCRETE BASE – FOR CONVENTIONAL SINGLE PHASE TRANSFORMER	A/R
MM# = REFER TO SECTION 16 ONLY		A/R = AS REQUIRED	

ALL DIMENSIONS IN MILLIMETRES
UNLESS OTHERWISE STATED

Rev No.	Date	Revision Particulars	dwn	ckd	des	app
---------	------	----------------------	-----	-----	-----	-----

Drawn By: PC	Checked By: M.MATEVSKI	Designed By: X.ZHANG	Design Approved By: M.MATEVSKI
Scale: N.T.S.	Date: (yyyy/mm/dd) 2021/10/18	Pole ID:	



Title:
TYPICAL CONCRETE FOUNDATION
CONVENTIONAL 1-PH PAD-MOUNTED TRANSFORMER
48" DEEP FOUNDATION

© Copyright Hydro One Networks Inc. All rights reserved. This drawing may not be reproduced or copied, in whole or in part, in any printed, mechanical, electronic, film, or other distribution and storage media or used in any information storage or retrieval system outside of Hydro One Networks Inc., without the written consent of Hydro One Networks Inc.
Information contained in this drawing is considered to be confidential. Recipients shall only use the drawing for its intended purpose and shall take necessary measures to prevent disclosure or transmittal to outside parties.

Drawing No. DU-09-201.1-0500	Rev. No. 00
---------------------------------	----------------

TITLE BLOCK REV 02 – AUGUST 2014