

Welcome to our Public Information Centre

Westover to Copetown Temporary Transmission Line

Project Details

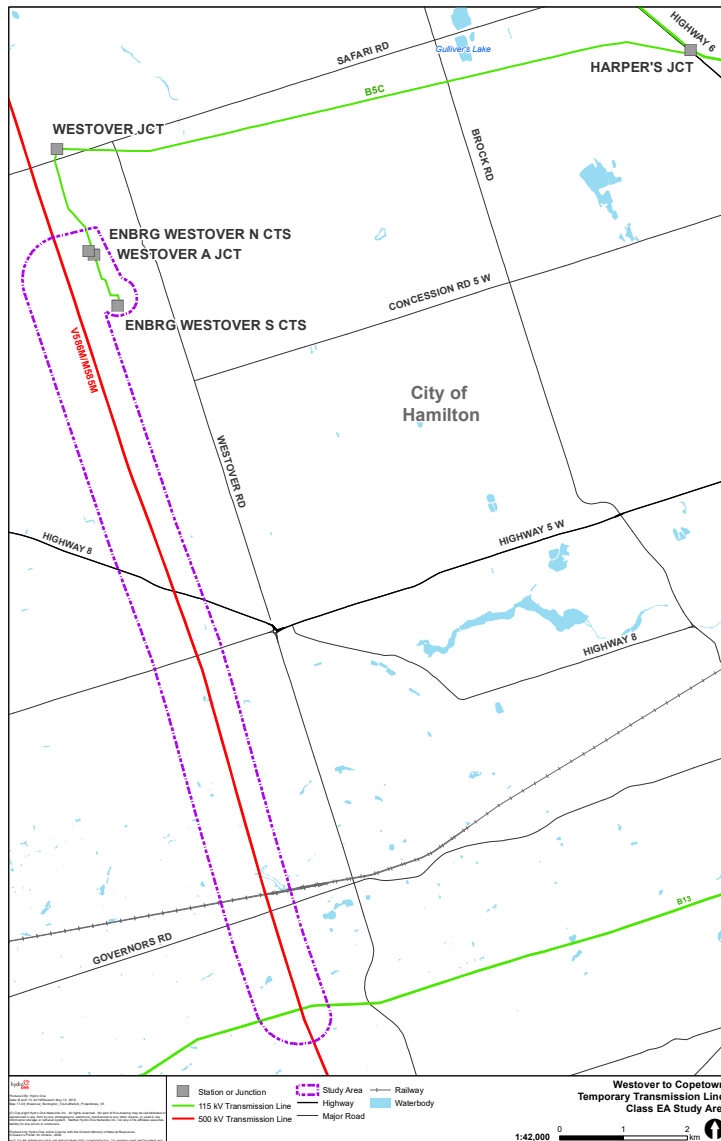
Hydro One is completing a Class Environmental Assessment to install a temporary 115 kilovolt (kV) bypass transmission line between the communities of Westover and Copetown, in City of Hamilton.

The temporary wood pole line is needed to ensure a continuous supply of power during the planned refurbishment of an existing 115 kV line between Harpers Junction and the Enbridge Westover CTS Stations.

The proposed line will be 13 kilometres in length, will largely run parallel to the existing corridor and be operational for approximately two years.

The line will be removed once refurbishment of the existing line is complete.

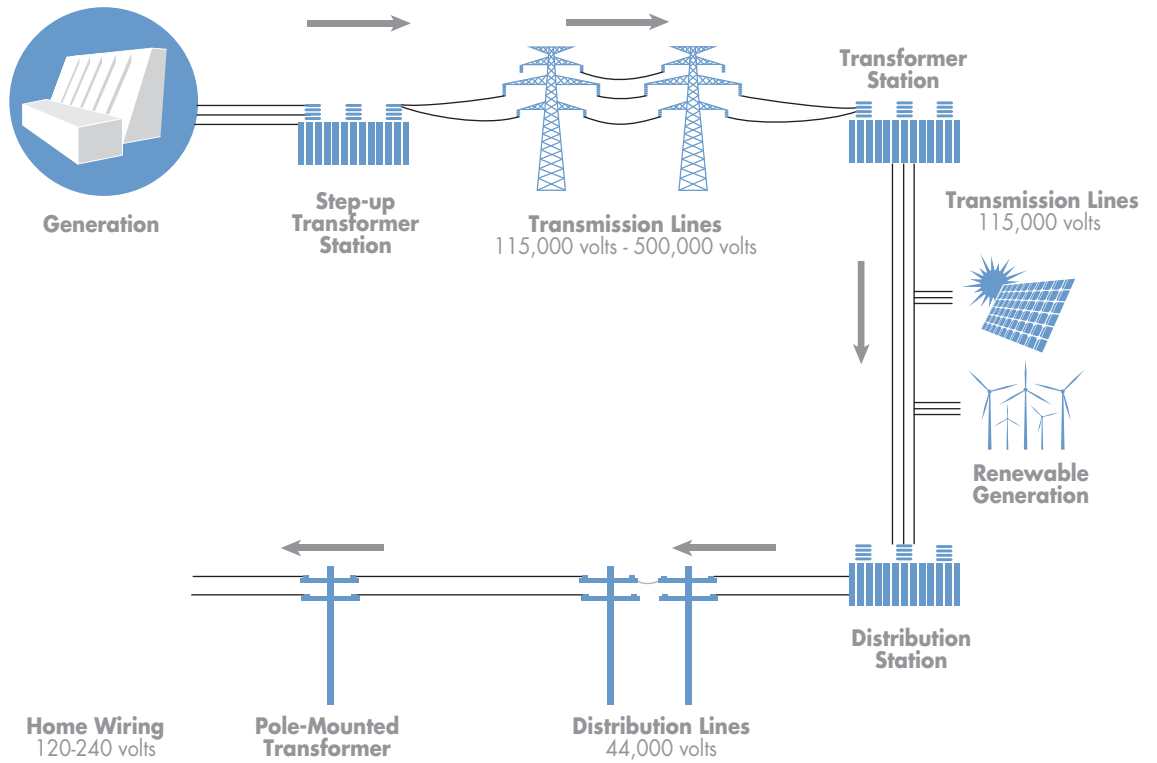
Project Area



How the system works

ONTARIO POWER GENERATION AND PRIVATE GENERATION COMPANIES

HYDRO ONE



**HYDRO ONE/
OTHER DISTRIBUTION COMPANY**

Approval Process

This project is subject to the Class Environmental Assessment for Minor Transmission Facilities:

- In accordance with the Ontario Environmental Assessment Act.
- The Class EA process contains screening provisions that may apply to this project.
- Ensures projects that have a predictable range of impacts have feasible environmental mitigation and protection measures in place.
- Consultation with elected officials, government agencies, Indigenous communities, interest groups and the public is part of the Class Environmental Assessment process.

Construction Activities & Equipment



Pulling new wire into position



Stringing on a pole



Boom truck



Cable puller



Cranes

What does the Class EA process consider?

The Class EA process will identify potential project effects related to:

- Business and residential property owners
- Planned land uses and existing infrastructure
- Terrestrial and aquatic resources
- Environmentally sensitive areas and species
- Archaeology and heritage resources
- Recreational resources.

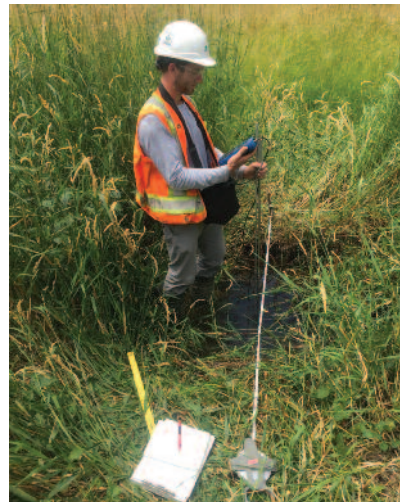
Natural Environment

Hydro One retained Golder Associates Ltd. to conduct an environmental inventory and baseline field studies for the project study area to:

- Document the existing conditions present within the study area.
- Assess potential interactions of the proposed project with natural environment features and assess the potential impact.
- Provide mitigation options to minimize or avoid potential adverse environmental effects.

Specific studies included:

- Vegetation and habitat surveys
- Breeding bird surveys
- Wildlife observations
- Species at risk studies
- Watercourse assessment



Restoration plan

- Temporary access roads and gravel work pads will be removed.
- Areas disturbed by construction will be restored to pre-construction conditions.
- Grass areas will be reseeded after construction is complete.



Removing temporary access road



Removing remaining crushed stone

Project Timeline

ACTIVITY	TIMELINE
Class Environmental Assessment initiated	May 2019
Public Information Centre	July 2019
Class EA completed and filing with Ministry of Environment, Conservation and Parks	October 2019
Anticipated start of construction	November 2019
Targeted in-service date	May 2020
Targeted line removal	Fall 2021

Thank you for joining us

Your input is important to us. Please share your feedback with our team and complete a comment form before you go.

To provide comments or to be added to the project contact list, please call or email:

Telephone: 1-877-345-6799

Email: Community.Relations@HydroOne.com

For the most up-to-date information and project updates visit our project website:

www.HydroOne.com/westover-to-copetown