

NOTES:

1. INSTALL ADDITIONAL SURGE ARRESTERS ON OUTSIDE PHASES ONTO NEXT LOAD SIDE ON THE SAME CIRCUIT. ALTERNATIVELY, CONNECT OUTSIDE ARRESTERS TO LOAD SIDE (SEE 'FIG.2') AND INSTALL ARRESTERS ONTO THE NEXT LINE SIDE POLE.
2. SIZE DROPLEADS AND LIVE LINE CONNECTORS TO MATCH LINE AMPACITY PER SECTION 7 AND REFER TO SECTION 6 FOR MINIMUM DROPLEAD CLEARANCES. ADD ADDITIONAL STAND-OFF INSULATOR, IF REQUIRED.
3. FOR MODULAR METERING UNIT (CT & VT) AND METER ENCLOSURE WIRING DIAGRAMS AND EQUIPMENT SELECTION, REFER TO SECTION RM6 OF RETAIL METERING STANDARDS. ENSURE PARTS ARE RATED FOR APPLICABLE VOLTAGE LEVEL.
4. SEE 'D1' & 'D2' FOR CONNECTION WIRING DIAGRAM (CWD) FOR FEEDER, DG & TAP LOAD METERING INSTALLATIONS TO MATCH THE LINE (R/W/B) PHASING REQUIREMENTS.
5. ENSURE MODULAR METERING UNIT (CT & VT) AND PLATFORM IS CONNECTED TO A COMMON GROUNDING LUG WHICH IS BONDED TO THE DOWN GROUND WIRE.
6. METER ENCLOSURE MAY BE ROTATED AROUND POLE FOR EASIER ACCESS IF REQUIRED.
7. MAINTAIN 180cm TO THE NEAREST PHASE OF THE UNDERBUILT CIRCUIT IF PRESET.
8. UNDERBUILD CROSSARM FRAMING (DL3-220.1-0500) IS ACCEPTABLE FOR USE. WHERE REQUIRED, STAGGER IN-LINE SWITCHES TO MAINTAIN ADEQUATE CLEARANCES.
9. REFER TO DL8-104.1-0500 AND DL8-104.2-0500 FOR APPLICABLE IN-LINE (BY-PASS) SWITCH TANGENT AND UNDERBUILT FRAMINGS.
10. INSTALL ADDITIONAL IN-LINE (BY-PASS) SWITCH IF FULL LINE SECTIONALIZING CAPABILITY IS REQUIRED.
11. MODULAR METERING MOUNTING PLATFORM COVERS ADJUSTABLE SUPPORTING RANGE OF (25cm to 42cm) POLE DIAMETER.
12. PART #'S 35 AND 51 ARE SUPPLIED WITH PART #14.
13. USE SECTION 4 AND METERING EQUIPMENT WEIGHT WHEN CLASSING THE POLE.
14. FOR COMPOSITE POLE APPLICATIONS USE BEARING PLATES AND HARDWARE PER SECTION 3C AND 9C. COORDINATE WITH MODULAR METERING UNIT AND METER ENCLOSURE SUPPORT BRACKET SUPPLIERS TO PROVIDE BRACKETS WITHOUT SHARP EDGES OR CUSTOMIZED BEARING PLATES FOR COMPOSITE POLE APPLICATIONS.
15. ARRESTER LEAD LENGTH TO BE AS SHORT AS POSSIBLE.
16. THE PMU SECONDARY WIRE COLOUR CODE SHALL MATCH THAT OF THE PRIMARY LINE COLOUR CODE.

FOR SHEET 2 OF THIS DRAWING SEE DL11-302.1-0501
ALL DIMENSIONS IN CENTIMETRES UNLESS OTHERWISE STATED

FIG.1
TYPICAL FRAMING (SEE NOTE 1)

02	FEB 2022	GENERAL UPDATE TO PARTS, LAYOUTS AND NOTES. UPDATED CENTRE-PHASE SURGE ARRESTER CONNECTION AND ORIENTATION. REMOVED OLD NOTE 2. UPDATED NEW NOTES 1, 2 & 12. ADDED NEW NOTES 13 & 15 & 16. CHANGED 'D2' TO 'FIG.2' AND REFERENCED MAIN LAYOUT AS 'FIG.1'.	PC	MM	MM	MM
01	NOV 2018	ORIGINAL DL11-304.3-R2 & DL11-304.4-R2 ARE SUPERSEDED BY THIS NEW DRAWING/REVISION. GENERAL UPDATES & DRAWING TITLE EDIT. CHANGED TO NEW DWG. & NUMBERING FORMAT.	SO	PC	MM	DD
Rev No.	Date	Revision Particulars	dwn	ckd	des	app

Drawn By: SO	Checked By: PC	Designed By: M.MATEVSKI	Design Approved By: D.DESROSIERS
Scale: N.T.S.	Date: (yyyy/mm/da) 2018/09/20	Pole ID:	

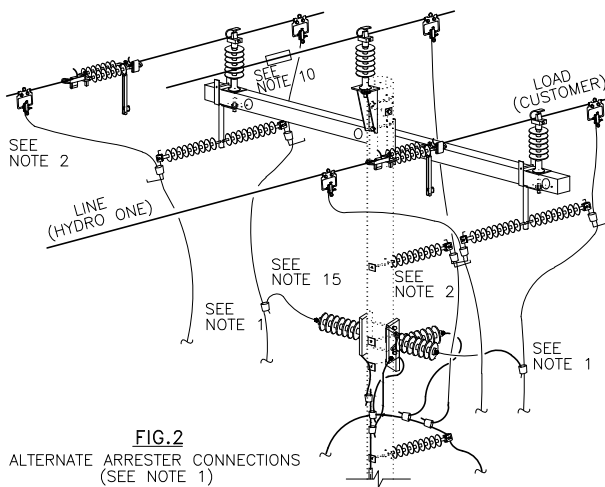
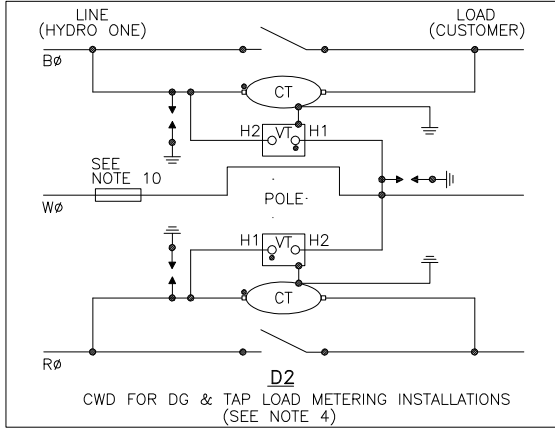
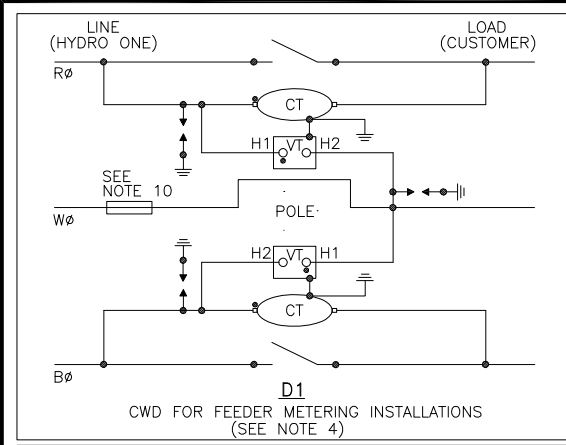


RETAIL METERING
SUBTRANSMISSION 3-PH 3-WIRE (2-ELEMENT)
27.6kV AND 44kV

© Copyright Hydro One Networks Inc. All rights reserved. This drawing may not be reproduced or copied, in whole or in part, in any printed, mechanical, electronic, film, or other distribution and storage media or used in any information storage or retrieval system outside of Hydro One Networks Inc., without the written consent of Hydro One Networks Inc.
Information contained in this drawing is considered to be confidential. Recipients shall only use the drawing for its intended purpose and shall take necessary measures to prevent disclosure or transmission to outside parties.

Drawing No. **DL11-302.1-0500** Rev. No. **02**

TITLE BLOCK REV 02 – AUGUST 2014



FOR SHEET 1 OF THIS DRAWING SEE DL11-302.1-0500
ALL DIMENSIONS IN CENTIMETRES
UNLESS OTHERWISE STATED

- LEGEND:**
- IN-LINE DISCONNECT SWITCH (SOLID BLADE)
 - SURGE ARRESTER
 - BONDING/GROUNDING
 - INSTRUMENT (CURRENT) TRANSFORMER
 - INSTRUMENT (VOLTAGE) TRANSFORMER

PARTS LIST			
PART No.	MM No.	DESCRIPTION	QTY.
1	MM#	CONNECTOR, LIVE LINE	6
2	30033547	CROSSARM, COMPOSITE, TANGENT, 9'-6"	1
3	30000770	CLAMP REST, INSULATOR TYPE	6
4	30000952	BRACKET, CLAMP REST, T-TYPE	2
5	30008425	INSULATOR, STANDOFF, 28kV OR	7
	10000412	INSULATOR, STANDOFF, 44kV	
6	MM#	BOLT, 3/4"	A/R
7	MM#	SWITCH - IN-LINE (BY-PASS)	A/R
		28kV OR 46kV, 900A, WEDGE-TYPE	
8	MM#	CONDUCTOR, BARE COPPER	A/R
9	MM#	CONNECTOR, TAP, WEDGE-TYPE	A/R
10	30008430	INSULATOR, LP28 WITH CLAMP OR	3
	30008432	INSULATOR, LP46 WITH CLAMP	
11	△	BONDING LUG, MODULAR METERING	4
12	30016927	ARRESTER, DISTRIBUTION, FOR 26.4kV	3
	10000230	ARRESTER, INTERMEDIATE, FOR 44kV	
13	30019293	BRACKET, SURGE ARRESTER, INTERMEDIATE	3
14	SEE NOTE 4	MODULAR METERING UNIT (CT/VT), 2-ELEMENT	1
15	30001595	WASHER, 3/4" x 2" x 2"	A/R
16	10000108	LOCKWASHER, 3/4"	A/R
17	30001734	NAIL, 1-3/4" LONG, GALV. WITH NEOPRENE WASHER	A/R
18	30000745	STRAP, PIPE, 1", 2-HOLE	A/R
19	MM#	BOLT, 5/8"	A/R
20	30000346	PADLOCK	1
21	SEE NOTE 4	METER ENCLOSURE	1
22	30001594	WASHER, 5/8" x 2" x 2"	A/R
23	SEE NOTE 4	REVENUE METER	1
24	20002145	SIGN, "KEEP OUT"	1
25	30034591	MOULDING, GROUND WIRE	A/R
26	30013378	STAPLE, 3", MOULDING	A/R
27	30000905	STUD, INSULATOR, 3/4" x 3"	1
28	30000906	STUD, INSULATOR, 3/4" x 7"	2
29	30000800	BRACKET, POLE TOP	1
30	MM#	STIRRUP	6
31	△	BONDING LUG, METER ENCLOSURE	1
32	30006856	STUD, LIVE LINE	A/R
33	30021308	BRACKET, MOUNTING, FOR P-BASE METER SUPPORT, C/W HARDWARE	1
34	△	CONNECTOR, BOX, 1", CONDUIT	2
35	△	CONDUIT, 1", FLEX	A/R
36	30026619	BEARING PLATE, CROSSARM, FOR COMPOSITE POLE	1
37	MM#	LOCKWASHER, 5/8"	A/R
38	30034307	CONDUCTOR, CCS, 2/0 AWG	A/R
39	30007243	CONNECTOR, WEDGE-TYPE, FOR 2/OAWG CCS	A/R
40	30001613	WASHER, 3/4" x 4" x 4", CURVED	A/R
41	30032211	SCREW, SELF-TAPPING, HWH, 2"	A/R
42	30024726	STRAP, PIPE, 1/2", 2-HOLE	A/R
43	30025578	CONDUIT, 1/2", PVC	A/R
44	30030842	TIE-WRAP, UV RESISTANT, 7.7mm x 370mm	A/R
45	30006969	CONNECTOR, LIVE-LINE, PIGTAIL, WEDGE-TYPE	A/R
46	MM#	CONNECTOR, TERMINAL, COMPRESSION 2-HOLE, SIZED TO SUIT CONDUCTIVITY, CU	A/R
47	30013881	STAPLE, GROUND WIRE, 1-1/2" x 3/8"	A/R
48	30026618	BEARING PLATE, BRACKET, FOR COMPOSITE POLE	3
49	△	BACK TO BACK LARGE WASHERS	4
50	30035285	CONNECTOR, BOX, 1/2", CABLE GLAND, 10-14mm	1
51	△	BUNDLED CONDUCTORS, #12, 600V	A/R
52	△	MARSHALLING BOX	A/R
53	△	NEMA 4 PADDLE FOR H1 & H2 BUSHINGS	A/R
54	30001166	BOLT, 1/2", 1-1/2" LONG, GALV., OR	A/R
	30001157	BOLT, 1/2", 2" LONG, GALV.	
55	30001591	WASHER, 1/2", GALV.	A/R
56	30001605	WASHER, LOCK, 1/2", GALV.	A/R
57	30007505	LOCKNUT, CONDUIT, STEEL, 1/2"	1
MM# = REFER TO SECTION 16 ONLY		A/R = AS REQUIRED	
△ = SUPPLIED WITH EQUIPMENT			

02	FEB 2022	GENERAL UPDATE TO PARTS, LAYOUTS AND NOTES. UPDATED CENTRE-PHASE SURGE ARRESTER CONNECTION AND ORIENTATION. REMOVED OLD NOTE 2. UPDATED NEW NOTES 1, 2 & 12. ADDED NEW NOTES 13 & 15 & 16. CHANGED 'D2' TO 'FIG.2' AND REFERENCED MAIN LAYOUT AS 'FIG.1'.	PC	MM	MM	MM
01	NOV 2018	ORIGINAL DL11-304.3-R2 & DL11-304.4-R2 ARE SUPERSEDED BY THIS NEW DRAWING/REVISION. GENERAL UPDATES & DRAWING TITLE EDIT. CHANGED TO NEW DWG. & NUMBERING FORMAT.	SO	PC	MM	DD
Rev No.	Date	Revision Particulars	dwn	ckd	des	app

Drawn By: SO	Checked By: PC	Designed By: M.MATEVSKI	Design Approved By: D.DESROSIERS
Scale: N.T.S.	Date: 2018/09/20	Pole ID:	



RETAIL METERING
SUBTRANSMISSION 3-PH 3-WIRE (2-ELEMENT)
27.6kV AND 44kV

© Copyright Hydro One Networks Inc. All rights reserved. This drawing may not be reproduced or copied, in whole or in part, in any printed, mechanical, electronic, film, or other distribution and storage media or used in any information storage or retrieval system outside of Hydro One Networks Inc., without the written consent of Hydro One Networks Inc.
Information contained in this drawing is considered to be confidential. Recipients shall only use the drawing for its intended purpose and shall take necessary measures to prevent disclosure or transmission to outside parties.

Drawing No. **DL11-302.1-0501** Rev. No. **02**

TITLE BLOCK REV 02 - AUGUST 2014