

FIG. 1
GROUNDING RODS

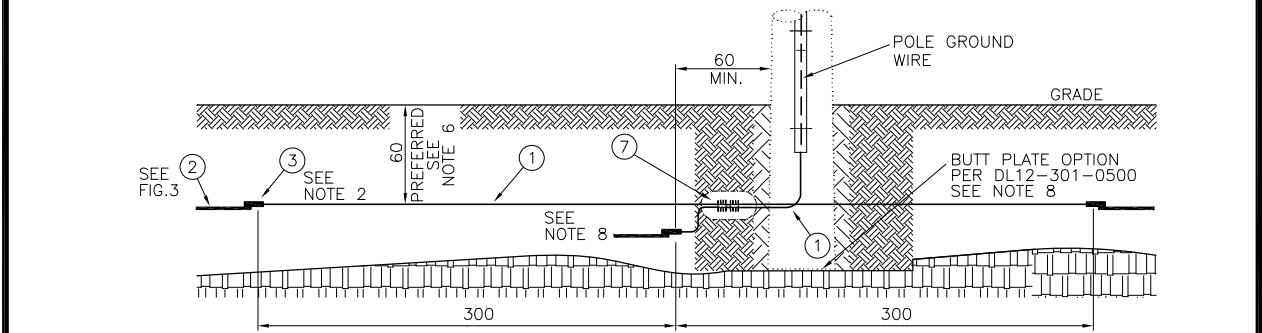


FIG. 2
GROUNDING IN POOR SOIL

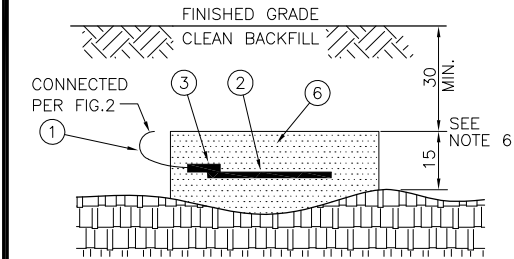
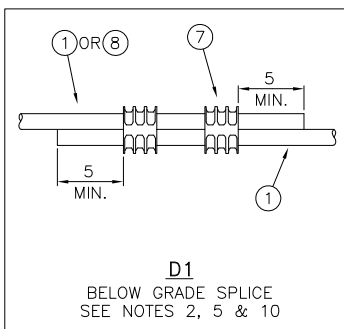


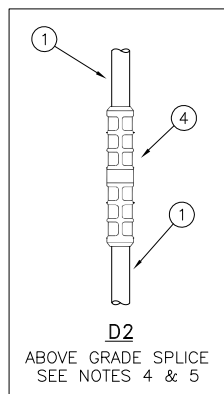
FIG. 3
GROUND PLATE INSTALLATION WITH REDUCED COVER

NOTES:

- GROUND ELECTRODE(S) TO BE INSTALLED IN UNDISTURBED NATIVE SOIL WHEREVER POSSIBLE.
- CONTINUOUS GROUND WIRE PREFERRED. GROUND WIRE SHOULD BE EXTENDED 5cm BEYOND THE CONNECTOR.
- ONE CONDUCTOR PER CONNECTOR.
- ABOVE GRADE POLE GROUND EXTENSION/REPAIR PER 'D2'.
- MAXIMUM OF TWO SPLICES ALLOWED ON POLE GROUND WIRE. TWO CONNECTORS IN 'D1', BELOW GRADE, COUNT AS ONE SPLICE.
- MECHANICAL PROTECTION (75mm, 21MPa CONCRETE) IS REQUIRED OVER PLATES AND GROUND WIRES FOR BURIAL DEPTHS LESS THAN 30cm. G.E.M. WHEN CURED, IS CONSIDERED MECHANICAL PROTECTION.
- GROUND RODS ARE PREFERRED.
- IF POLE BUTT PLATE IS ALREADY INSTALLED, THE 300cm DIMENSION REFERENCED IN FIG.2 IS FROM BUTT PLATE TO ADJACENT TWO GROUND PLATES.
- FOR REQUIREMENTS FOR:
- HIGH VALUE EQUIPMENT SEE SUB-SECTION 12-3 TEXT, AND
- GROUNDING IMPROVEMENTS/REPAIR SEE SUB-SECTION 12-4 TEXT.
- CCS TO COPPER CONDUCTOR SPLICE ALLOWED BELOW GRADE, PER 'D1', FOR REPAIRS ONLY.



ALL DIMENSIONS IN CENTIMETRES UNLESS OTHERWISE STATED



ABOVE GRADE SPLICE SEE NOTES 4 & 5

PARTS LIST

PART No.	MM No.	DESCRIPTION	QTY.
1	30034306	CONDUCTOR, CCS, #3 AWG	A/R
	30034307	CONDUCTOR, CCS, 2/0 AWG	A/R
2	30025401	GROUND PLATE, GALV., 10" x 16", C/W 8" BAR	A/R
3	30006646	CONNECTOR, GROUND ROD, FOR #3 AWG CCS	A/R
	30033620	CONNECTOR, GROUND ROD, FOR 2/0 AWG CCS	A/R
4	10000265	SLEEVE, CU. FOR #3 AWG CCS	A/R
	30006539	SLEEVE, CU. FOR 2/0 AWG CCS	A/R
5	30014142	GROUND ROD, 3/4" x 10', GALV.	A/R
6	30025402	REDUCED DUST GROUND ENHANCEMENT MATERIAL (G.E.M.)	A/R
7	30028496	CONNECTOR, C-COMPRESSION, FOR #3 CCS OR #4 CU	2
	30007024	CONNECTOR, C-COMPRESSION, FOR 2/0 CCS OR 1/0 CU	2
8	SEE NOTE 10	CONDUCTOR, BARE COPPER, #4 AWG	2
		CONDUCTOR, BARE COPPER, 1/0 AWG	2

MM# = REFER TO SECTION 16 ONLY | A/R = AS REQUIRED

08	JUNE 2022	CHANGED TITLE. UPDATED NOTE 7. REMOVED NOTE 9 AND INSERTED IN FIG.1. UPDATED NEW NOTE 9. FIGURES TO DETAILS UPDATES TO ALIGN WITH DEFINITION OF SECTION 1.	PC	MM	KX	MM
07	NOV 2018	GROUNDING PLATE CHANGE AND REVISED PART #2 DESCRIPTION & NOTE 8 UPDATED.	PC	SJ	SJ	MM
Rev No.	Date	Revision Particulars	dwn	ckd	des	app

Drawn By:	Checked By:	Designed By:	Design Approved By:
Scale:	Date: (yyyy/mm/da)	Pole ID:	
N.T.S.	2011/10/18		
Title:			



© Copyright Hydro One Networks Inc. All rights reserved. This drawing may not be reproduced or copied, in whole or in part, in any printed, mechanical, electronic, film, or other distribution and storage media or used in any information storage or retrieval system outside of Hydro One Networks Inc., without the written consent of Hydro One Networks Inc.
Information contained in this drawing is considered to be confidential. Recipients shall only use the drawing for its intended purpose and shall take necessary measures to prevent disclosure or transmission to outside parties.

ENHANCED GROUNDING:
FOR HIGH VALUE EQUIPMENT OR
FOR GROUNDING IMPROVEMENTS AND REPAIR

Drawing No. DL12-402-0500 | Rev. No. 08

TITLE BLOCK REV 02 – AUGUST 2014