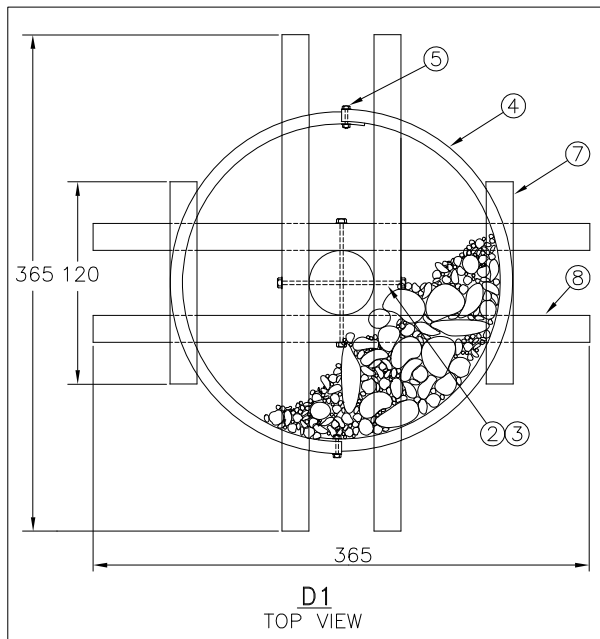


CRIBBING HEIGHT	BOLTS REQUIRED
60cm	12
120cm	30
180cm	48

FIG. 1
SETTING 'B' WITH BUTT OF POLE NOT REACHING SOLID EARTH AT NORMAL SETTING DEPTH



NOTES:

- WHERE GROUND CONDITION IS VERY SOFT, SPREAD 25cm OF BRUSH UNDER TIMBERS.
- ALL TIMBER SHALL BE PRESSURE TREATED TO THE REQUIREMENTS OF USE CATEGORY 4.2 IN CSA O80 FOR WOOD IN GROUND CONTACT IN HIGH DECAY AREAS. TIMBER SHALL BE AT LEAST 10cm X 10cm SQUARE OR 15cm DIA. ROUND.
- HEIGHT OF CRIB WILL VARY WITH POLE HEIGHT AND DEPTH OF PENETRATION OF BUTT INTO SOLID EARTH. MINIMUM HEIGHT OF CRIB IS 120cm.
- SEE SETTING 'B' ON DL4-201-0500 FOR CRIB HEIGHT.
- SEE SUB-SECTION 4-2 FOR NORMAL SETTING DEPTH.

PARTS LIST

PART No.	MM No.	DESCRIPTION	QTY.
1	MM#	WOOD POLE	1
2	MM#	BOLT 3/4"	6
3	30001595	WASHER 3/4" x 2" x 2"	6
4	30000793	CRIBBING, 7' DIAMETER x 2'	A/R
5	MM#	BOLT ASSEMBLY, 1/2"	*
6	MM#	FIELD STONE OR GRAVEL	A/R
	30035627	GABION STONE, 200mm (8") OR	
	30035623	CRUSHER RUN, 100mm (4"), GRAN. "B" TYPE II	
7	SEE NOTE 2	TIMBER – 120cm LONG	2
8	SEE NOTE 2	TIMBER – 365cm LONG	4

MM# = REFER TO SECTION 16 ONLY | A/R = AS REQUIRED
* = SEE TABLE 1

ALL DIMENSIONS ARE IN CENTIMETRES UNLESS STATED OTHERWISE

Rev No.	Date	Revision Particulars	dwn	ckd	des	app
02	AUG 2021	UPDATED TABLE FORMAT. UPDATED NOTES 2 & 4 AND ADDED NOTE 5. CHANGED MAIN FIGURE TO FIG.1 AND CHANGED TOP VIEW TO "D1". UPDATED PART 6 – 8. UPDATED TO NEW DRAWING NUMBERING FORMAT. FOR PREVIOUS REVISIONS REFER TO DL4-203-R1.	LS	PC	JX	MM
01	AUG 2014	ADDED TIMBERS TO PARTS LIST	SO	PC		

Drawn By: BA	Checked By:	Designed By:	Design Approved By: *
Scale:	Date: (yyyy/mm/dd) *	Pole ID:	



© Copyright Hydro One Networks Inc. All rights reserved. This drawing may not be reproduced or copied, in whole or in part, in any printed, mechanical, electronic, film, or other distribution and storage media or used in any information storage or retrieval system outside of Hydro One Networks Inc., without the written consent of Hydro One Networks Inc. Information contained in this drawing is considered to be confidential. Recipients shall only use the drawing for its intended purpose and shall take necessary measures to prevent disclosure or transmission to outside parties.

Title: SWAMP CRIBBING WITH STEEL CULVERT SECTION FOR WOOD POLES	Drawing No. DL4-203-0500	Rev. No. 02
---	--------------------------	-------------

TITLE BLOCK REV 02 – AUGUST 2014