

TABLE 1: ANCHOR HOLE SPACING 'A' FOR CORRESPONDING POLE BUTT SIZE													
ANCHOR CONFIGURATION	THREE ANCHOR (SEE FIG.1)				FOUR ANCHOR (SEE FIG.2)				FIVE ANCHOR (SEE FIG.3)				
POLE BUTT DIAMETER (in)	8	9	10	11	12	13	14	15	16	17	18	19	20
ANCHOR HOLE SPACING 'A' (cm)	39.6	41.9	43.9	46.2	48.5	41.4	43.2	45	46.7	40.4	41.9	43.4	45

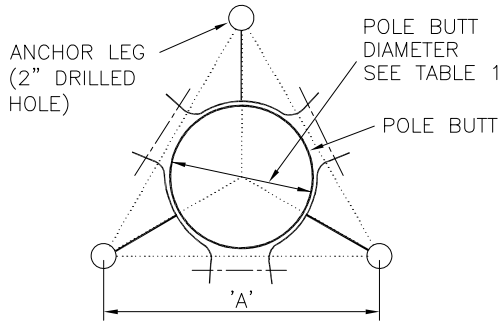


FIG.1
THREE ANCHOR CONFIGURATION

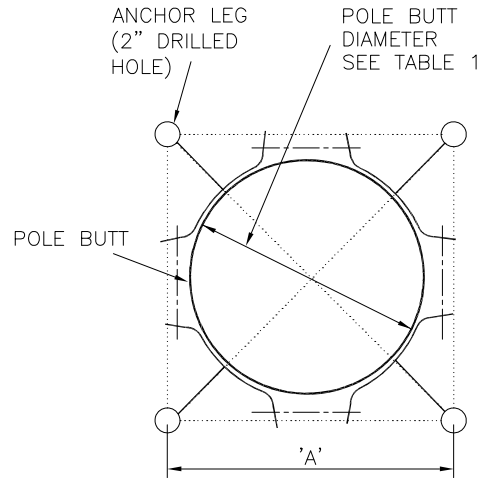


FIG.2
FOUR ANCHOR CONFIGURATION

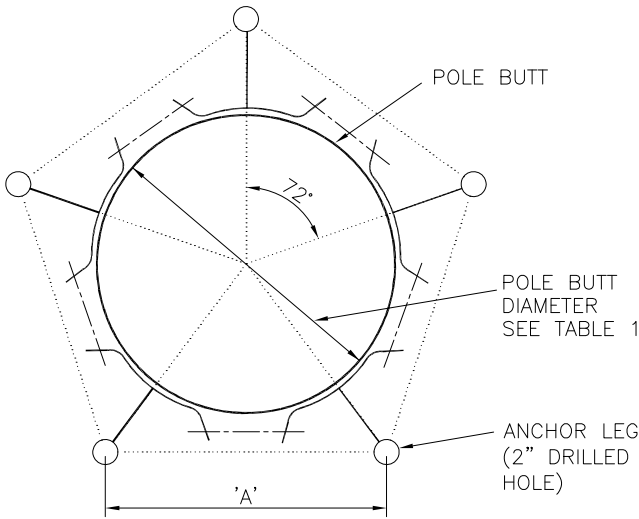


FIG.3
FIVE ANCHOR CONFIGURATION

FOR SHEET TWO OF THIS DRAWING SEE DL4-206-0501.

ALL DIMENSIONS ARE IN CENTIMETRES UNLESS STATED OTHERWISE

01	AUG 2021	ADDED FIG. 1, 2 & 3 AND TABLE 1. CHANGED PREVIOUS FIG. 1 TO 'D1' AND CHANGED PREVIOUS 'D1' TO 'D2'. ADDED PARTS LIST AND CREATED SECOND SHEET OF DRAWING. UPDATED TO NEW DRAWING NUMBERING FORMAT. FOR PREVIOUS REVISIONS, REFER TO DL4-206-R0	GJ	PC	JX	MM
Rev No.	Date	Revision Particulars	dwn	ckd	des	app

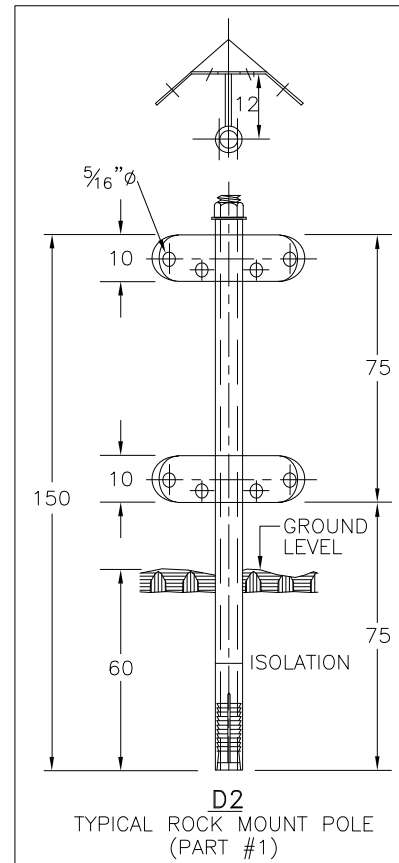
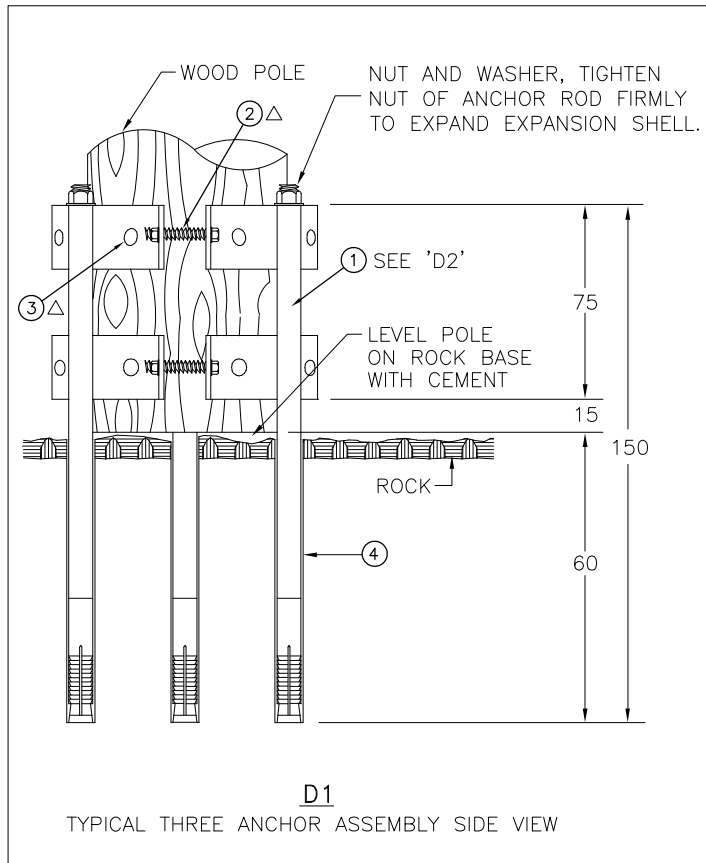
Drawn By: BA	Checked By:	Designed By:	Design Approved By: *
Scale:	Date: (yyyy/mm/dd) *	Pole ID:	



© Copyright Hydro One Networks Inc. All rights reserved. This drawing may not be reproduced or copied, in whole or in part, in any printed, mechanical, electronic, film, or other distribution and storage media or used in any information storage or retrieval system outside of Hydro One Networks Inc., without the written consent of Hydro One Networks Inc.
Information contained in this drawing is considered to be confidential. Recipients shall only use the drawing for its intended purpose and shall take necessary measures to prevent disclosure or transmittal to outside parties.

Title: POLE MOUNTS FOR ROCK	
Drawing No. DL4-206-0500	Rev. No. 01

TITLE BLOCK REV 02 – AUGUST 2014



FOR SHEET ONE OF THIS DRAWING SEE DL4-206-0500.

ALL DIMENSIONS ARE IN CENTIMETRES UNLESS STATED OTHERWISE

PARTS LIST					
PART No.	MM No.	DESCRIPTION	QTY.		
			FIG.1	FIG.2	FIG.3
1	30000985	ROCK MOUNT POLE, ANCHOR	3	4	5
2	△	BOLT, DOUBLE ARMING, 7/8"-9UNC x 7-1/2", GALV., NUTS INCL.	6	8	10
3	△	BOLT, LAG, 5/8" x 4", GIMLET POINT, GALV.	12	16	20
4	MM#	GROUT, FOR ROCK, ANCHOR	A/R	A/R	A/R
MM# = REFER TO SECTION 16 ONLY			A/R = AS REQUIRED		
△ = SUPPLIED WITH EQUIPMENT					

01	AUG 2021	ADDED FIG. 1, 2 & 3 AND TABLE 1. CHANGED PREVIOUS FIG. 1 TO 'D1' AND CHANGED PREVIOUS 'D1' TO 'D2'. ADDED PARTS LIST AND CREATED SECOND SHEET OF DRAWING. UPDATED TO NEW DRAWING NUMBERING FORMAT. FOR PREVIOUS REVISIONS, REFER TO DL4-206-R0	GJ	PC	JX	MM
Rev No.	Date	Revision Particulars	dwn	ckd	des	app

Drawn By: BA	Checked By:	Designed By:	Design Approved By: *
Scale:	Date: (yyyy/mm/dd) *	Pole ID:	



© Copyright Hydro One Networks Inc. All rights reserved. This drawing may not be reproduced or copied, in whole or in part, in any printed, mechanical, electronic, film, or other distribution and storage media or used in any information storage or retrieval system outside of Hydro One Networks Inc., without the written consent of Hydro One Networks Inc. Information contained in this drawing is considered to be confidential. Recipients shall only use the drawing for its intended purpose and shall take necessary measures to prevent disclosure or transmittal to outside parties.

Title:
POLE MOUNTS FOR ROCK

Drawing No. DL4-206-0501 Rev. No. 01

TITLE BLOCK REV 02 - AUGUST 2014