

FIG. 1  
SHALE AND LIMESTONE ANCHOR

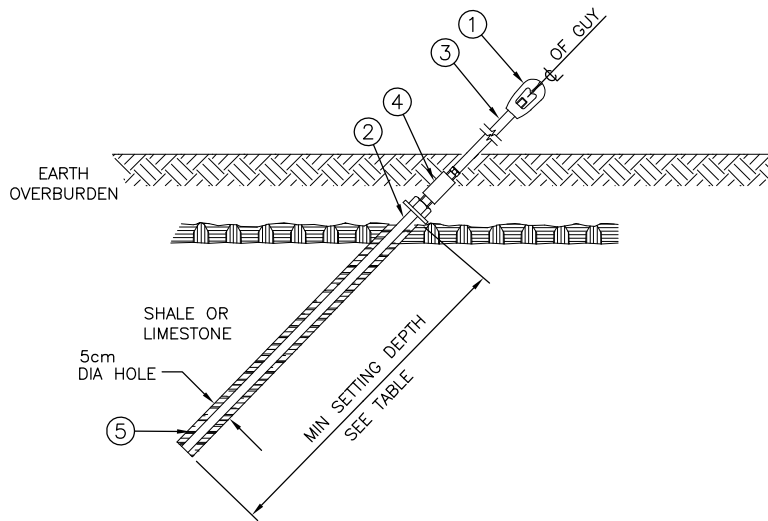


FIG. 2  
SHALE AND LIMESTONE ANCHOR WITH EARTH OVERBURDEN

TYPE OF ROCK	MINIMUM SETTING DEPTH
SOUND MASSIVE LIMESTONE	1m
THICKLY BEDDED LIMESTONE	1.25m
THINLY BEDDED LIMESTONE	1.75m
SHALE	2m

PARTS LIST			
PART No.	MM No.	DESCRIPTION	QTY.
1	30000914	ANCHOR, TRIPLE EYE NUT	1
2	30001038	ANCHOR BAR, DEFORMED 1" DIA. x 6'-9"	1
3	30000838	ANCHOR ROD 1" x 3'-6"	A/R
4	30000912	COUPLING, ANCHOR ROD, 1" THREAD	A/R
5	30013957	GROUT, FOR ROCK ANCHOR	1
MM# = REFER TO SECTION 16 ONLY			A/R = AS REQUIRED

ALL DIMENSIONS ARE IN CENTIMETRES  
UNLESS STATED OTHERWISE.

02	AUG 2017	PART #4 ADDED TO FIG.2 AND PARTS LIST. CHANGED TO NEW DWG. & NUMBERING FORMAT. FOR PREVIOUS REVISION REFER TO DL5-208-R1.	LS	PC	MM	JB
01	AUG 2013	MM#'S ADDED	SO	PC		
Rev No.	Date	Revision Particulars	dwn	ckd	des	app

Drawn By: BA	Checked By:	Designed By:	Design Approved By:
Scale:	Date: (yyyy/mm/dd)	Pole ID:	



Title:  
SHALE AND LIMESTONE ANCHOR

© Copyright Hydro One Networks Inc. All rights reserved. This drawing may not be reproduced or copied, in whole or in part, in any printed, mechanical, electronic, film, or other distribution and storage media or used in any information storage or retrieval system outside of Hydro One Networks Inc., without the written consent of Hydro One Networks Inc.  
Information contained in this drawing is considered to be confidential. Recipients shall only use the drawing for its intended purpose and shall take necessary measures to prevent disclosure or transmittal to outside parties.

Drawing No.  
DL5-208-0500

Rev. No.  
02

TITLE BLOCK REV 02 – AUGUST 2014