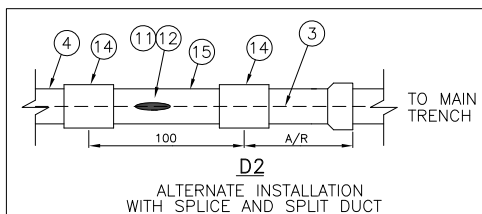
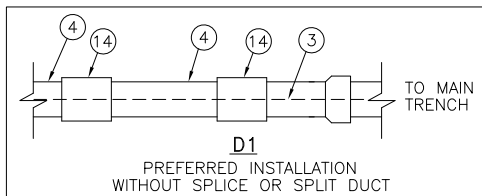




NOTES:

- BACKFILL: ENSURE DB2 CONDUIT IS ENVELOPED WITH MASONRY SAND UPON INSTALLATION (7.5cm MINIMUM BELOW AND 15cm MINIMUM ABOVE). REMAINDER OF BACKFILL MUST BE CLEAN AND FREE OF DEBRIS TO PREVENT DAMAGE TO THE DUCT. BACKFILL SHALL BE WELL TAMPED.
- STRAIGHT DUCT SHALL BE EMPLOYED IN THE TRENCH TO HOUSE THE CABLE. IT SHALL BE 100mm (4") DIAMETER PVC TYPE DB2 CONDUIT. THE ENDS OF THE DUCT SHALL BE CAPPED OR BAGGED TO PREVENT DEBRIS AND MOISTURE FROM ENTERING THE DUCT PRIOR TO CABLE INSTALLATION. AFTER CABLE INSTALLATION, INSTALL THE FLEXIBLE CONDUIT TO MAKE 90° TRANSITION, SEE DU11-101-0500 OPTION 1. SCHEDULE 40 PVC CONDUIT AND ASSOCIATED FITTINGS ARE ACCEPTABLE POSITIVE DEVIATION, IF DB2 CONDUIT IS NOT AVAILABLE, PROVIDED SEPARATIONS SPECIFIED ON THIS DRAWING ARE MAINTAINED.  
SEE OPTION 2 FOR ALTERNATE METHODS.
- PULL TAPE: A 1/2" WIDE POLYESTER PULLING TAPE MUST BE INSTALLED THROUGH THE ENTIRE LENGTH OF THE DUCT.
- INSERT FLEXIBLE CONDUIT 60cm IN THE DB2 CONDUIT. THE SIZE OF THE FLEXIBLE CONDUIT WILL VARY BASED ON THE CONDUCTOR SIZE.
- RADIUS MUST BE GREATER THAN THE SPECIFIED CABLE MINIMUM BENDING RADIUS.
- INSTALL METER COMPARTMENT AS PER ONTARIO ELECTRICAL SAFETY CODE (OESC), USE ONLY HYDRO ONE APPROVED METER BASES LISTED IN THE HYDRO ONE 'METER SOCKET BASE' LIST.
- TELECOMMUNICATION PLANT MAY SHARE SERVICE TRENCH BUT MUST BE INSTALLED IN ITS OWN CONDUIT.
- PREFERRED ROUTING FOR GAS SERVICE SHALL BE ON OPPOSITE SIDE OF THE BUILDING THAN THAT OF THE ELECTRICAL SERVICE. IF COMMON TRENCHING IS UNAVOIDABLE, 30cm MINIMUM CLEAR SEPARATION SHALL BE MAINTAINED IN ALL DIRECTIONS BETWEEN GAS SERVICE AND ELECTRICAL SUPPLY CABLE.
- CLEARANCES, DEPTHS, SEPARATIONS AND FORMS OF MECHANICAL PROTECTION OF THE CABLE ARE MINIMUM REQUIREMENTS. INCREASED CLEARANCES AND OR ADDITIONAL FORMS OF MECHANICAL PROTECTION ARE CONSIDERED POSITIVE DEVIATIONS AND ARE ALLOWED.
- IF THE TRENCH END MUST BE TEMPORARILY LEFT OPEN BECAUSE BACKFILLING/SURFACE FINISHING CANNOT OCCUR IMMEDIATELY AFTER CABLE INSTALLATION, INSTALL PER 'FIG.1' OR 'FIG.2'. IF SPLICE AT LOT LINE CANNOT BE AVOIDED, INSTALL AS PER 'FIG.3'. IT IS THE CUSTOMER'S RESPONSIBILITY TO ENSURE BOTH TRENCH ENDS ARE BACKFILLED AFTER CABLE INSTALLATION.
- IF CABLE AT THE METER BASE END IS UNDER CONCRETE OR ASPHALT, INSTALL AS PER 'FIG.2'.
- FLEXIBLE CONDUIT, RIGID CONDUIT AND COUPLER MUST BE BELOW GRADE.
- RISER CONDUIT TO BE EASILY REMOVED BY HONI FOR CABLE INSTALLATION PURPOSES.
- IF FURTHER TRENCHING ALONG ROAD ALLOWANCE IS REQUIRED, IT SHALL BE CONSTRUCTED PER HYDRO ONE STANDARD TRENCH PROFILES.
- FINAL METER BASE HEIGHT IN REFERENCE TO FINISHED GRADE.
- CUSTOMER SUPPLIED AND INSTALLED, METER BASE, CLAMPS AND ASSOCIATED HARDWARE INSTALLED PER ONTARIO ELECTRICAL SAFETY CODE (OESC).
- THE METER BASE AND DIP POLE CONDUITS WILL VARY IN SIZE DEPENDING ON CONDUCTOR SIZE (i.e. 2" DIAMETER FOR 3/0 AWG, 3" FOR 250 kcmil OR 500 kcmil CONDUCTOR). FLEXIBLE CONDUIT WILL ALSO VARY IN SIZE (i.e. 2" OR 3" FOR 3/0 AWG OR 3" FOR 250 kcmil OR 500 kcmil CONDUCTOR) WHEN USED TO CONNECT THE RISER CONDUIT TO THE HORIZONTAL DUCT. APPROPRIATELY SIZE COUPLERS (SHOWN AND LISTED IN THE PARTS LIST) SHALL BE USED TO CONNECT THE SCHEDULE 40 PVC TO THE FLEXIBLE CONDUIT. ONLY ONE SERVICE CABLE PERMITTED PER CONDUIT.
- THE SUPPLY SERVICE CABLE AT THE METER BASE SHALL BE HOUSED IN ITS OWN DISTINCT CUSTOMER SUPPLIED CONDUIT (CONDUIT SHALL NOT HOUSE ANY OTHER PLANT), AND SHALL NOT HAVE ANY ACCESS PORT (LB CONDUIT FITTING, JUNCTION BOX, ETC.). ANY MODIFICATION TO CUSTOMER OWNED METER-BASE WHICH VOIDS CSA CERTIFICATION IS NOT PERMITTED.
- WHENEVER POSSIBLE AVOID THE SECONDARY SPLICE AT THE PROPERTY LINE BY INSTALLING A CONTINUOUS DUCT FROM THE TRANSFORMER TO THE METER BASE. IF SPLICE IS REQUIRED, FLEXIBLE CONDUIT SHALL NOT BE USED.
- METER BASE TO MAINTAIN 1m MINIMUM CLEARANCE FROM DISCHARGE OF ANY COMBUSTIBLE GAS RELIEF DEVICE OR VENT. IF 1m CLEARANCE IS NOT AVAILABLE IT CAN BE REDUCED TO 0.3m MINIMUM CLEARANCE WHICH IS ONLY APPLICABLE IF REGULATORS EQUIPPED WITH CERTIFIED OVERPRESSURE CUT-OFF/SHUT-OFF WITH LIMITED OR NO RELIEF IS INSTALLED FOR THE GAS DISCHARGE OPENING. THE OVERPRESSURE RELIEF DEVICES MUST BE MARKED "LR-OPCO", "P-OPCO" OR "OPSO".



FOR SHEET 1 OF THIS DRAWING SEE DU11-101-0500

ALL DIMENSIONS IN CENTIMETRES  
UNLESS OTHERWISE STATED

PARTS LIST			
PART No.	MM No.	DESCRIPTION	QTY.
1	30030348	COUPLER KIT, 2", FLEX TO 2" RIGID	A/R
	30031161	COUPLER KIT, 3", FLEX TO 2" RIGID	
	30030236	COUPLER KIT, 3", FLEX TO 3" RIGID	
2	30030366	CONDUIT, FLEX, 2"	A/R
	30030235	CONDUIT, FLEX, 3"	
3	30005908	SERVICE CABLE, 3/0 AWG, 3-COND., AL.	A/R
	30005915	SERVICE CABLE, 250Kcmil, 3-COND., AL.	
	30005959	SERVICE CABLE, 500Kcmil, 3-COND., AL.	
4	30007710	CONDUIT, PVC, 4", DB2	A/R
5	20002181	CAUTION TAPE, BURIED ELECTRIC LINE	A/R
6	30007687	SWEEP, 4" x 16" RADIUS, SCHEDULE 40, PVC	A/R
7	30007583	CONDUIT, 4", SCHEDULE 40, PVC	A/R
8	30031602	CAP, 4", SCHEDULE 40, PVC	A/R
9	20000007	TAPE, PULLING, 1/2" WIDE, POLYESTER	A/R
10	30031626	COUPLER, 4", DB2 TO 4" RIGID	A/R
	30006695	CONNECTOR, SPLICE, 600V, 3/0 AWG	
11	30006455	CONNECTOR, SPLICE, 600V, 250Kcmil	A/R
	30006397	CONNECTOR SPLICE, 600V, 500Kcmil	
	30008346	COLD SHRINK, 600V, 2/0 AWG-250Kcmil	
12	30013875	COLD SHRINK, 600V, 500Kcmil	A/R
	30013701	SWEEP, 4" x 16" RADIUS, PVC FOR DB2	
13	30003292	COUPLER, PVC DUCT, PUSH FIT, 4"	A/R
14	30031628	CONDUIT, 4", SPLIT DUCT	A/R
MM# = REFER TO SECTION 16 ONLY			A/R = AS REQUIRED
* = SUPPLIED BY CUSTOMER			

01	SEPT 2023	ORIGINAL DU-03-209-0501-R06 IS NOW SUPERSEDED BY THIS NEW DRAWING/REVISION. CHANGED TO SECTION 11. GENERAL UPDATES. CHANGED TO NEW DWG. & NUMBERING FORMAT. UPDATED DETAILS TO FIGURES. UPDATED NOTES 2, 6, 10, 11 & 18. ADDED NOTE 19 & 20 AND NEW PART#S 13, 14 & 15. DIRECT BURIED CONTENT WAS MOVED TO NEW SECTION 15 AND DU15-131-0500/0501 R01.	PC	MM	MM	MM
Rev No.	Date	Revision Particulars	dwn	ckd	des	app

Drawn By: PC	Checked By: M.MATEVSKI	Designed By: M.MATEVSKI	Design Approved By: M.MATEVSKI P.Eng.
Scale: N.T.S.	Date: (yyyy/mm/dd) 2022/05/03	Pole ID:	

**hydro one** **Hydro One Networks Inc.**

© Copyright Hydro One Networks Inc. All rights reserved. This drawing may not be reproduced or copied, in whole or in part, in any printed, mechanical, electronic, film, or other distribution and storage media or used in any information storage or retrieval system outside of Hydro One Networks Inc., without the written consent of Hydro One Networks Inc.

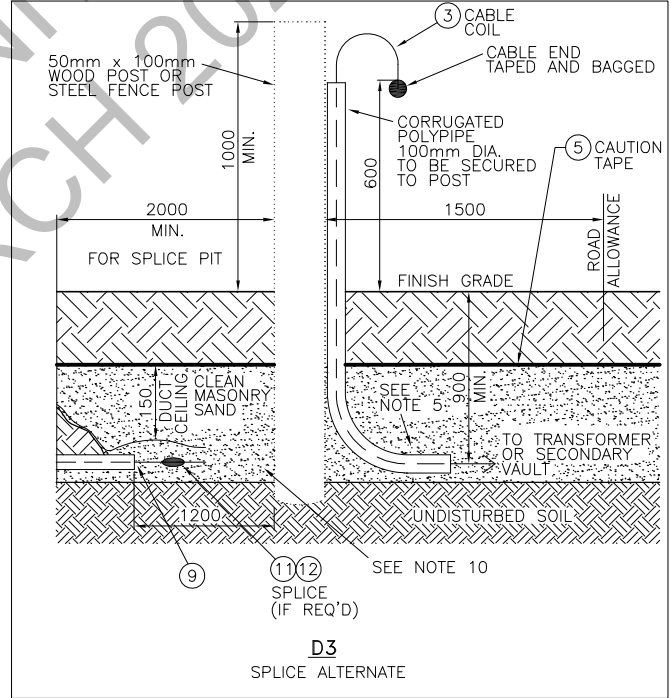
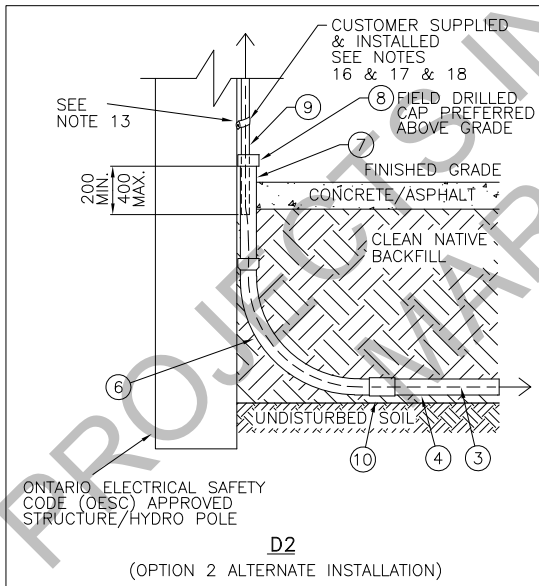
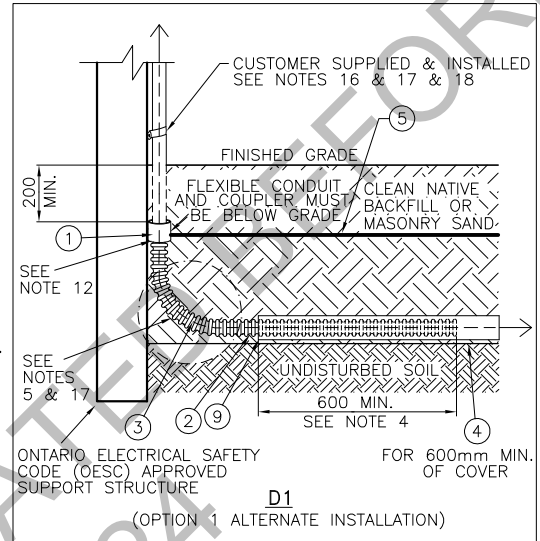
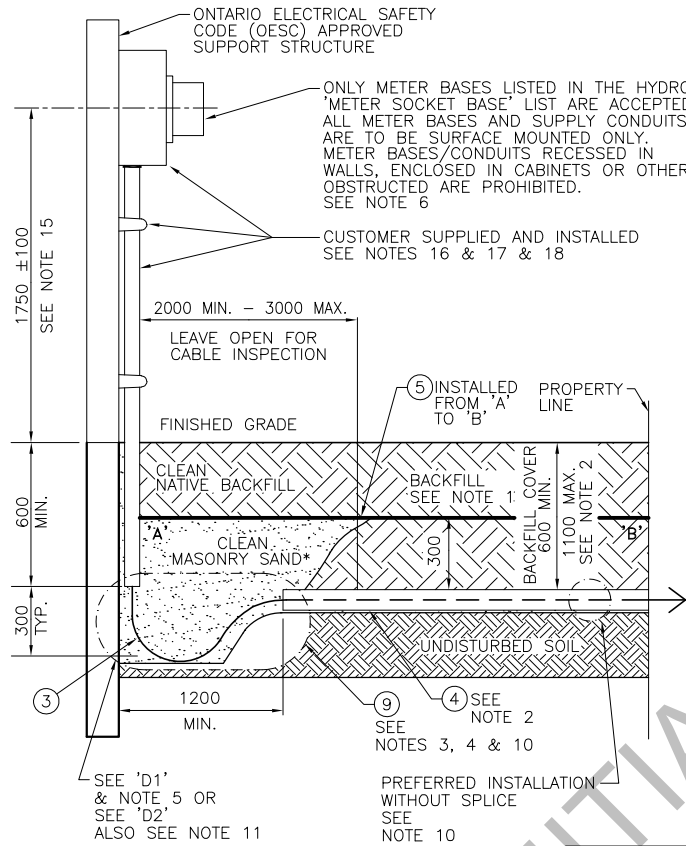
Information contained in this drawing is considered to be confidential. Recipients shall only use the drawing for its intended purpose and shall take necessary measures to prevent disclosure or transmission to outside parties.

Title:  
**TRENCH DETAIL - SECONDARY SERVICE CABLE FROM UNDERGROUND DUCTED TRENCH TO METER BASE**

Drawing No.  
**DU11-101-0501**

Rev. No.  
**01**

TITLE BLOCK REV 02 - AUGUST 2014



FOR SHEET 2 OF THIS DRAWING SEE DU-03-209-0501

ALL DIMENSIONS IN MILLIMETRES UNLESS OTHERWISE STATED

06	FEB 2022	UPDATED PART #1,2,11 & 12. UPDATED NOTES 4 & 17. ADDED NOTE 18. UPDATED D1 LAYOUT. DIMENSION UPDATE IN D2.	PC	MM	KA	MM
05	SEPT 2020	REMOVED 2" OPTION, UNIVERSAL SIZE. MODIFIED PARTS 1,2,6 & 7 AND MM# OF PART #8 AND NOTES 1,2,4 & 6 AND MAIN FIG., D1, D2, & D3. ADDED NEW NOTES 15,16 & 17. REMOVED PREVIOUS PART #9 (STRAPS). INTRODUCED GENERIC SUPPORT STRUCTURE FOR CUSTOMER INSTALLATION.	PC	SJ	SJ	MM
Rev No.	Date	Revision Particulars	dwn	ckd	des	app

Drawn By: L.SQUEIRA	Checked By:	Designed By:	Design Approved By:
Scale: N.T.S.	Date: (yyyy/mm/dd) 2012/08/30	Pole ID:	



Title: TRENCH DETAIL – SECONDARY SERVICE CABLE FROM UNDERGROUND DIRECT BURIED TRENCH TO METER BASE

© Copyright Hydro One Networks Inc. All rights reserved. This drawing may not be reproduced or copied, in whole or in part, in any printed, mechanical, electronic, film, or other distribution and storage media or used in any information storage or retrieval system outside of Hydro One Networks Inc., without the written consent of Hydro One Networks Inc.

Information contained in this drawing is considered to be confidential. Recipients shall only use the drawing for its intended purpose and shall take necessary measures to prevent disclosure or transmittal to outside parties.

Drawing No. DU-03-209-0500	Rev. No. 06
-------------------------------	----------------

TITLE BLOCK REV 02 – AUGUST 2014

NOTES:

1. BACKFILL: ENSURE DB2 CONDUIT IS ENVELOPED WITH MASONRY SAND UPON INSTALLATION (75mm MINIMUM BELOW AND 150mm MINIMUM ABOVE). REMAINDER OF BACKFILL MUST BE CLEAN AND FREE OF DEBRIS TO PREVENT DAMAGE TO THE DUCT. BACKFILL SHALL BE WELL TAMPED.
2. STRAIGHT DUCT SHALL BE EMPLOYED IN THE TRENCH TO HOUSE THE CABLE. IT SHALL BE 100mm (4") DIAMETER PVC TYPE DB2 CONDUIT. THE ENDS OF THE DUCT SHALL BE CAPPED OR BAGGED TO PREVENT DEBRIS AND MOISTURE FROM ENTERING THE DUCT PRIOR TO CABLE INSTALLATION. IF OPEN TRENCH ENDS MUST BE LEFT UNATTENDED AFTER CABLE INSTALLATION, SEE DU-03-209-0500 OPTION 1, WITH A LENGTH OF FLEXIBLE CONDUIT TO MAKE 90° TRANSITION.  
SEE OPTION 2 FOR ALTERNATE METHODS.
3. PULL TAPE: A 1/2" WIDE POLYESTER PULLING TAPE MUST BE INSTALLED THROUGH THE ENTIRE LENGTH OF THE DUCT.
4. INSERT FLEXIBLE CONDUIT 600mm IN THE DB2 CONDUIT. THE SIZE OF THE FLEXIBLE CONDUIT WILL VARY BASED ON THE CONDUCTOR SIZE.
5. RADIUS MUST BE GREATER THAN THE SPECIFIED CABLE MINIMUM BENDING RADIUS.
6. INSTALL METER COMPARTMENT AS PER ONTARIO ELECTRICAL SAFETY CODE (OESC), USE ONLY HYDRO ONE APPROVED METER BASES LISTED IN THE HYDRO ONE 'METER SOCKET BASE' LIST. METER BASE TO MAINTAIN 1M MINIMUM CLEARANCE FROM DISCHARGE OF ANY COMBUSTIBLE GAS RELIEF DEVICE OR VENT.
7. TELECOMMUNICATION PLANT MAY SHARE SERVICE TRENCH BUT MUST BE INSTALLED IN ITS OWN CONDUIT.
8. PREFERRED ROUTING FOR GAS SERVICE SHALL BE ON OPPOSITE SIDE OF THE BUILDING THAN THAT OF THE ELECTRICAL SERVICE. IF COMMON TRENCHING IS UNAVOIDABLE, 300mm MINIMUM CLEAR SEPARATION SHALL BE MAINTAINED IN ALL DIRECTIONS BETWEEN GAS SERVICE AND ELECTRICAL SUPPLY CABLE.
9. CLEARANCES, DEPTHS, SEPARATIONS AND FORMS OF MECHANICAL PROTECTION OF THE CABLE ARE MINIMUM REQUIREMENTS. INCREASED CLEARANCES AND OR ADDITIONAL FORMS OF MECHANICAL PROTECTION ARE CONSIDERED POSITIVE DEVIATIONS AND ARE ALLOWED.
10. IF THE TRENCH END MUST BE TEMPORARILY LEFT OPEN BECAUSE BACKFILLING CANNOT OCCUR IMMEDIATELY AFTER CABLE INSTALLATION, INSTALL PER 'D1' OR 'D2'. IF SPLICE AT LOT LINE CANNOT BE AVOIDED, INSTALL AS PER 'D3'. IT IS THE CUSTOMER'S RESPONSIBILITY TO ENSURE BOTH TRENCH ENDS ARE BACKFILLED AFTER CABLE INSTALLATION.
11. IF CABLE AT THE METER BASE END IS UNDER CONCRETE OR ASPHALT, INSTALL AS PER 'D2'.
12. FLEXIBLE CONDUIT, RIGID CONDUIT AND COUPLER MUST BE BELOW GRADE.
13. RISER CONDUIT TO BE EASILY REMOVED BY HONI FOR CABLE INSTALLATION PURPOSES.
14. IF FURTHER TRENCHING ALONG ROAD ALLOWANCE IS REQUIRED, IT SHALL BE CONSTRUCTED PER HYDRO ONE STANDARD TRENCH PROFILES.
15. FINAL METER BASE HEIGHT IN REFERENCE TO FINISHED GRADE.
16. CUSTOMER SUPPLIED AND INSTALLED, METER BASE, CLAMPS AND ASSOCIATED HARDWARE INSTALLED PER ONTARIO ELECTRICAL SAFETY CODE (OESC).
17. THE METER BASE AND DIP POLE CONDUITS WILL VARY IN SIZE DEPENDING ON CONDUCTOR SIZE (i.e. 2" DIAMETER FOR 3/0 AWG, 3" FOR 250 kcmil OR 500 kcmil CONDUCTOR). FLEXIBLE CONDUIT WILL ALSO VARY IN SIZE (i.e. 2" OR 3" FOR 3/0 AWG OR 3" FOR 250 kcmil OR 500 kcmil CONDUCTOR) WHEN USED TO CONNECT THE RISER CONDUIT TO THE HORIZONTAL DUCT. APPROPRIATELY SIZE COUPLERS (SHOWN AND LISTED IN THE PARTS LIST) SHALL BE USED TO CONNECT THE SCHEDULE 40 PVC TO THE FLEXIBLE CONDUIT.
18. THE SUPPLY SERVICE CABLE AT THE METER BASE SHALL BE HOUSED IN ITS OWN DISTINCT CUSTOMER SUPPLIED CONDUIT (CONDUIT SHALL NOT HOUSE ANY OTHER PLANT).

PARTS LIST

PART No.	MM No.	DESCRIPTION	QTY.
1	30030348	COUPLER KIT, 2", FLEX TO 2" RIGID	A/R
	30031161	COUPLER KIT, 3", FLEX TO 2" RIGID	
	30030236	COUPLER KIT, 3", FLEX TO 3" RIGID	
2	30030366	CONDUIT, FLEX, 2"	A/R
	30030235	CONDUIT, FLEX, 3"	
3	30005908	SERVICE CABLE, 3/0 AWG, 3-COND., AL.	A/R
	30005915	SERVICE CABLE, 250Kcmil, 3-COND., AL.	
	30005959	SERVICE CABLE, 500Kcmil, 3-COND., AL.	
4	30007710	CONDUIT, PVC, 4", DB2	A/R
5	20002181	CAUTION TAPE, BURIED ELECTRIC LINE	A/R
6	30007687	SWEEP, 4" x 16" RADIUS, SCHEDULE 40, PVC	A/R
7	30007583	CONDUIT, 4", SCHEDULE 40, PVC	A/R
8	30031602	CAP, 4", SCHEDULE 40, PVC	A/R
9	20000007	TAPE, PULLING, 1/2" WIDE, POLYESTER	A/R
10	30031626	COUPLER, 4", DB2 TO 4" RIGID	A/R
11	30006695	CONNECTOR, SPLICE, 600V, 3/0 AWG	A/R
	30006455	CONNECTOR, SPLICE, 600V, 250Kcmil	
	30006397	CONNECTOR SPLICE, 600V, 500Kcmil	
12	30008346	COLD SHRINK, 600V, 2/0 AWG-250Kcmil	A/R
	30013875	COLD SHRINK, 600V, 500Kcmil	
MM# = REFER TO SECTION 16 ONLY			A/R = AS REQUIRED
* = SUPPLIED BY CUSTOMER			

FOR SHEET 1 OF THIS DRAWING SEE DU-03-209-0500

ALL DIMENSIONS IN MILLIMETRES  
UNLESS OTHERWISE STATED

06	FEB 2022	UPDATED PART #1,2,11 & 12. UPDATED NOTES 4 & 17. ADDED NOTE 18. UPDATED DI LAYOUT. DIMENSION UPDATE IN D2.	PC	MM	KA	MM
05	SEPT 2020	REMOVED 2" OPTION, UNIVERSAL SIZE. MODIFIED PARTS 1,2,6 & 7 AND MM# OF PART #8 AND NOTES 1,2,4 & 6 AND MAIN FIG., D1, D2, & D3. ADDED NEW NOTES 15,16 & 17. REMOVED PREVIOUS PART #9 (STRAPS). INTRODUCED GENERIC SUPPORT STRUCTURE FOR CUSTOMER INSTALLATION.	PC	SJ	SJ	MM
Rev No.	Date	Revision Particulars	dwn	ckd	des	app

Drawn By: L.SEQUEIRA	Checked By:	Designed By:	Design Approved By:
Scale: N.T.S.	Date: (yyyy/mm/dd) 2012/08/30	Pole ID:	



**Hydro One Networks Inc.**

© Copyright Hydro One Networks Inc. All rights reserved. This drawing may not be reproduced or copied, in whole or in part, in any printed, mechanical, electronic, film, or other distribution and storage media or used in any information storage or retrieval system outside of Hydro One Networks Inc., without the written consent of Hydro One Networks Inc.

Information contained in this drawing is considered to be confidential. Recipients shall only use the drawing for its intended purpose and shall take necessary measures to prevent disclosure or transmission to outside parties.

TRENCH DETAIL – SECONDARY SERVICE CABLE FROM UNDERGROUND DIRECT BURIED TRENCH TO METER BASE

Drawing No. <b>DU-03-209-0501</b>	Rev. No. <b>06</b>
--------------------------------------	-----------------------