

NOTES:

1. INSTALL METERBASE(S) 50-80cm FROM THE TRANSFORMER AND BOND METER BASE TO TRANSFORMER GROUND GRID.
2. IF A NEUTRAL ISOLATOR IS INSTALLED, SEE NOTE 5 ON DU11-301-0500 FOR BONDING METER BASE TO GROUND, INSTALL METER BASE(S) AT LEAST 3m AWAY FROM THE TRANSFORMER.
3. MIX A BAG OF CONCRETE AND POUR AT THE BOTTOM OF THE POST PRIOR TO SETTING POST.
4. STANDBY GENERATOR SHALL ONLY BE CONNECTED TO WIRING SYSTEM THROUGH A DOUBLE-THROW SWITCH WHICH WILL PREVENT FEEDBACK ON THE SUPPLY AUTHORITY'S SYSTEM.
5. MULTIPLE CUSTOMERS CAN BE CONNECTED TO THE TRANSFORMER. LAYOUT IS SHOWING INSTALLATION FOR AN INDIVIDUAL CUSTOMER.
6. IF ARMoured OR TECK CABLE WITH MECHANICAL PROTECTION IS USED BY THE CUSTOMER CABLE SHOULD BE CLAMPED ON THE POST, RIGID OR PLASTIC, CONDUIT ON THE LUMBER IS NOT REQUIRED.
7. METERBASE, LUMBER, CONDUITS AND CONDUIT HARDWARE TO BE SUPPLIED BY CUSTOMER. SECONDARY CABLES (TO CUSTOMER) ARE CUSTOMER OWNED. SECONDARY CABLES (TO TRANSFORMER) AND METER AND ASSOCIATED WIRING BY HYDRO ONE.
8. H1B PRIMARY CABLE CONNECTION NOT SHOWN FOR DRAWING CLARITY. SEE DU9-101-0500/0501 FOR CONNECTIONS, IF REQUIRED.
9. ONLY METERBASE FROM HYDRO ONE APPROVED METERBASE LIST SHALL BE USED. METERBASE WIRING SHALL FOLLOW DU11-111-0500 FOR TYPICAL UNDERGROUND SERVICE.
10. PART#S MARKED WITH "*" ARE SUPPLIED BY CUSTOMER; MM#S OF SUCH PARTS ARE FOR REFERENCE ONLY.

ALL DIMENSIONS IN CENTIMETERS
UNLESS OTHERWISE STATED

PARTS LIST			
PART No.	MM No.	DESCRIPTION	QTY.
1	30005908	SERVICE CABLE, 3-COND., UG, AL, 3/0 AWG	1
2	SEE NOTE 10	PRE-FAB CAP; P/T WOOD OR EQUIVALENT	1
3	SEE NOTE 10	METERBASE, SELF-CONTAINED, 4-JAW	1
4	SEE NOTE 10	LUMBER, 6" x 6" x 10', PRESSURE TREATED	1
5	30035711	QUICK SETTING CONCRETE	1
6	30007542	CONDUIT, 2" X 10', BELL END, SCHEDULE 40, PVC	A/R
7	30000744	STRAP, CABLE, AL. OR GALV. STEEL	A/R
8	SEE NOTE 10	FASTENER, WOOD, 2", GALV.	A/R
9	SEE NOTE 10	SERVICE CABLE, 3-COND., UG	A/R
10	30007549	ADAPTER, MALE, RIGID CONDUIT, 2", PVC, THREADED	2
11	30007656	LOCKNUT, CONDUIT, 2", PLAIN, GALV.	2
12	30003294	BEND, PVC, 2" X 24" RADIUS, 900, PLAIN	2
13	SEE NOTE 10	FASTENER, WOOD, GALV., MIN. 1-1/4" LONG	4
MM# = REFER TO SECTION 16 ONLY			A/R = AS REQUIRED
△ = SUPPLIED WITH EQUIPMENT			

01	SEPT 2023	ORIGINAL DU-03-214.2-0500-R0 IS NOW SUPERSEDED BY THIS NEW DRAWING/REVISION. CHANGED TO SECTION 11. GENERAL UPDATES. CHANGED TO NEW DWG. & NUMBERING FORMAT.	PC	MM	KX	MM	Drawn By: PC	Checked By: M.MATEVSKI	Designed By: K.XU	Design Approved By: M.MATEVSKI P.Eng.
Rev No.	Date	Revision Particulars	dwn	ckd	des	app	Scale: N.T.S.	Date: (yyyy/mm/da) 2020/07/20	Pole ID:	

hydro one **Hydro One Networks Inc.**

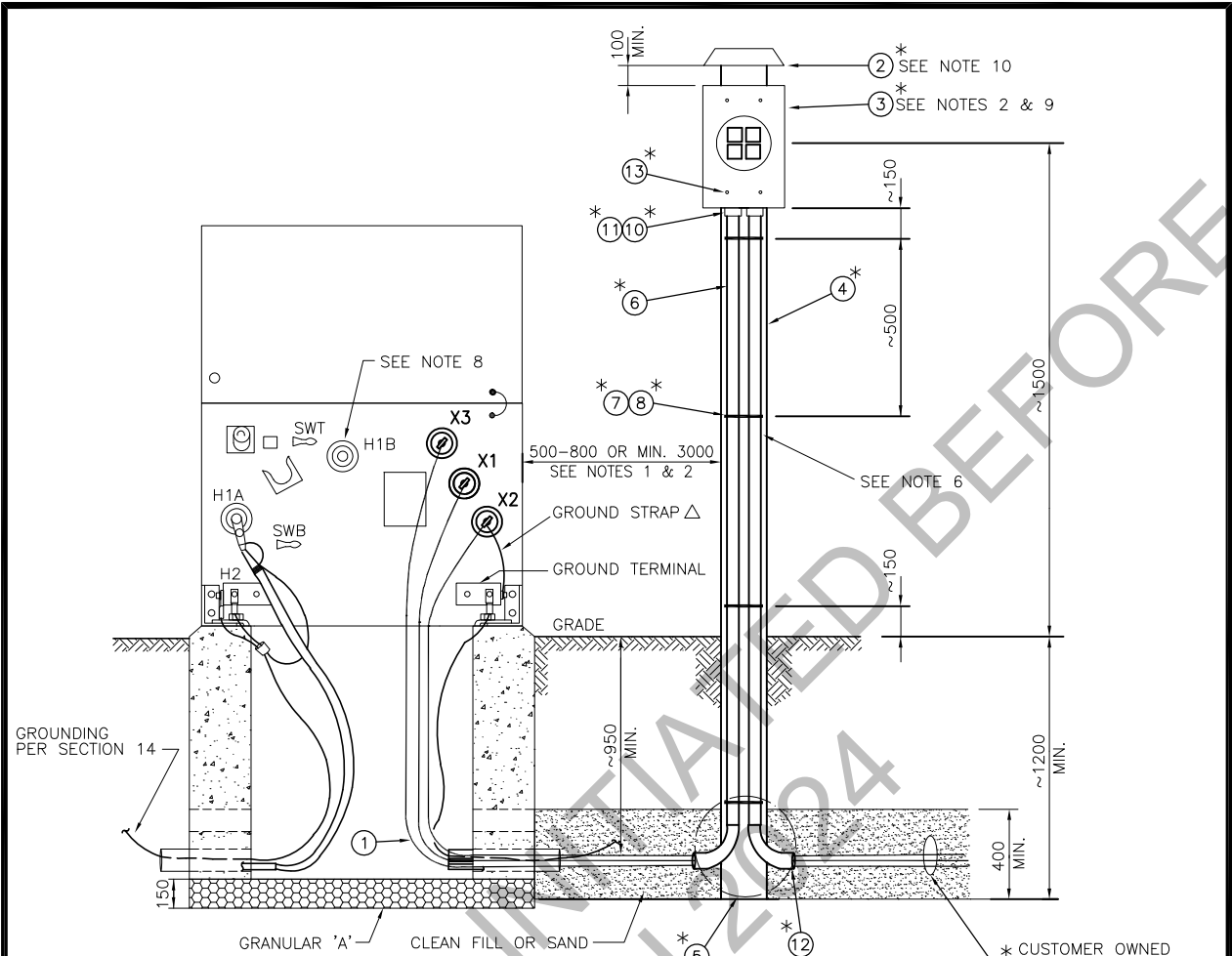
© Copyright Hydro One Networks Inc. All rights reserved. This drawing may not be reproduced or copied, in whole or in part, in any printed, mechanical, electronic, film, or other distribution and storage media or used in any information storage or retrieval system outside of Hydro One Networks Inc., without the written consent of Hydro One Networks Inc.

Information contained in this drawing is considered to be confidential. Recipients shall only use the drawing for its intended purpose and shall take necessary measures to prevent disclosure or transmission to outside parties.

PEDESTAL-MOUNTED SELF-CONTAINED METERING UP TO 200A FROM PAD-MOUNTED TRANSFORMER 1Ø, 120/240V, 3-WIRE

Drawing No. **DU11-201-0500** Rev. No. **01**

TITLE BLOCK REV 02 - AUGUST 2014



NOTES:

1. INSTALL METERBASE(S) 500-800mm FROM THE TRANSFORMER AND BOND METER BASE TO TRANSFORMER GROUND GRID.
2. IF A NEUTRAL ISOLATOR IS INSTALLED, SEE NOTE 5 ON DU-03-603-0500 FOR BONDING METER BASE TO GROUND. INSTALL METER BASE(S) AT LEAST 3m AWAY FROM THE TRANSFORMER.
3. MIX A BAG OF CONCRETE AND POUR AT THE BOTTOM OF THE POST PRIOR TO SETTING POST.
4. STANDBY GENERATOR SHALL ONLY BE CONNECTED TO WIRING SYSTEM THROUGH A DOUBLE-THROW SWITCH WHICH WILL PREVENT FEEDBACK ON THE SUPPLY AUTHORITY'S SYSTEM.
5. MULTIPLE CUSTOMERS CAN BE CONNECTED TO THE TRANSFORMER. LAYOUT IS SHOWING INSTALLATION FOR AN INDIVIDUAL CUSTOMER.
6. IF ARMoured OR TECK CABLE WITH MECHANICAL PROTECTION IS USED BY THE CUSTOMER CABLE SHOULD BE CLAMPED ON THE POST, RIGID OR PLASTIC CONDUIT ON THE LUMBER IS NOT REQUIRED.
7. METERBASE, LUMBER, CONDUITS AND CONDUIT HARDWARE TO BE SUPPLIED BY CUSTOMER. SECONDARY CABLES (TO CUSTOMER) AND METER AND ASSOCIATED WIRING BY HYDRO ONE.
8. H1B PRIMARY CABLE CONNECTION NOT SHOWN FOR DRAWING CLARITY. SEE DU-03-301 FOR CONNECTIONS, IF REQUIRED.
9. ONLY METERBASE FROM HYDRO ONE APPROVED METERBASE LIST SHALL BE USED. METERBASE WIRING SHALL FOLLOW RM7-14.1-0500 FOR TYPICAL UNDERGROUND SERVICE AND RM7-14-0500.
10. PART#S MARKED WITH "*" ARE SUPPLIED BY CUSTOMER; MM#S OF SUCH PARTS ARE FOR REFERENCE ONLY.

ALL DIMENSIONS IN MILLIMETERS UNLESS OTHERWISE STATED

SEE NOTE 3

* CUSTOMER OWNED SECONDARY CABLES TO CUSTOMER SERVICE ENTRANCE PANEL

PARTS LIST

PART No.	MM No.	DESCRIPTION	QTY.
1	30005908	SERVICE CABLE, 3-COND., U/G, AL., 3/0 AWG	1
2	SEE NOTE 10	PRE-FAB CAP; P/T WOOD OR EQUIVALENT	1
3	SEE NOTE 10	METERBASE, SELF-CONTAINED, 4-JAW	1
4	SEE NOTE 10	LUMBER, 6"x6"x10", PRESSURE TREATED	1
5	30035711	QUICK SETTING CONCRETE	1
6	30007542	CONDUIT, PVC, 2"	A/R
7	30000744	STRAP, CABLE, AL. OR GALV. STEEL	A/R
8	SEE NOTE 10	FASTENER, WOOD, GALV., 2"	A/R
9	SEE NOTE 10	SERVICE CABLE, 3-COND., U/G	A/R
10	30007549	ADAPTER, RIGID CONDUIT, PVC, MALE THD., 2"	2
11	30007656	LOCKNUT, FOR 2" TERMINAL ADAPTER	2
12	30003294	BEND, PVC DUCT, DB2, 2" x 24", 90 DEG.	2
13	SEE NOTE 10	FASTENER, WOOD, GALV., MIN. 1-1/4" LONG	4
MM# = REFER TO SECTION 16 ONLY			A/R = AS REQUIRED
△ = SUPPLIED WITH EQUIPMENT			

Rev No.	Date	Revision Particulars	dwn	ckd	des	app

Drawn By: PC	Checked By: M.MATEVSKI	Designed By: K.XU	Design Approved By: M.MATEVSKI
Scale: N.T.S.	Date: (yyyy/mm/dd) 2020/07/20	Pole ID:	

hydro one **Hydro One Networks Inc.**

Title: PEDESTAL-MOUNTED SELF-CONTAINED METERING UP TO 200A FROM PAD-MOUNTED TRANSFORMER 1Ø, 120/240V, 3-WIRE

© Copyright Hydro One Networks Inc. All rights reserved. This drawing may not be reproduced or copied, in whole or in part, in any printed, mechanical, electronic, film, or other distribution and storage media or used in any information storage or retrieval system outside of Hydro One Networks Inc., without the written consent of Hydro One Networks Inc. Information contained in this drawing is considered to be confidential. Recipients shall only use the drawing for its intended purpose and shall take necessary measures to prevent disclosure or transmittal to outside parties.

Drawing No. DU-03-214.2-0500	Rev. No. 00
--	-----------------------

TITLE BLOCK REV 02 - AUGUST 2014