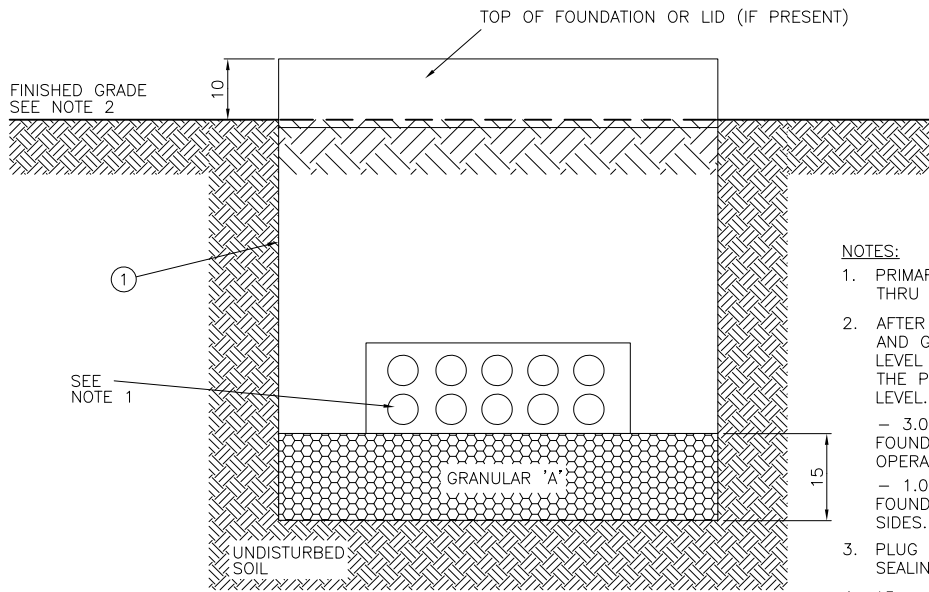


FOUNDATION
ISOMETRIC VIEW



FOUNDATION
SIDE VIEW

NOTES:

1. PRIMARY CABLES SHALL BE PLACED THRU THE LOWER OPENINGS.
2. AFTER INSTALLATION OF CABLES AND GROUNDING, BACKFILL AND LEVEL THE SPACE, AS BELOW, TO THE PROPOSED FINISHED GRADE LEVEL.
 - 3.0 m SPACE IN FRONT OF FOUNDATION EDGE(S) ON OPERATION SIDE(S) OF EQUIPMENT.
 - 1.0 m IN FRONT OF FOUNDATION EDGES FOR OTHER SIDES.
3. PLUG LIFTING HOLES WITH DUCT SEALING COMPOUND.
4. 15cm THICK LAYER OF CLASS 'A' GRANULAR MATERIAL, COMPACTED AND LEVELLED BEFORE INSTALLATION OF FOUNDATION.

PARTS LIST

PART No.	MM No.	DESCRIPTION	QTY.
1	MM#	DISTRIBUTION EQUIPMENT FOUNDATION, CONCRETE, PRECAST	1
2	30009051	SEALANT, COMPOUND, DUCT SEALING	A/R
MM# = REFER TO SECTION 16 ONLY A/R = AS REQUIRED			

ALL DIMENSIONS IN CENTIMETRES
UNLESS OTHERWISE STATED

01	SEPT 2023	ORIGINAL DU-03-210-0500-R3 IS NOW SUPERSEDED BY THIS NEW DRAWING/REVISION. CHANGED TO SECTION 15. GENERAL UPDATES. CHANGED TO DWG. & NUMBERING FORMAT. ADDED NOTES	PC	MM	KX	MM	Drawn By: PC	Checked By: M.MATEVSKI	Designed By: K.XU	Design Approved By: M.MATEVSKI P.Eng.
Rev No.	Date	Revision Particulars	dwn	ckd	des	app	Scale: N.T.S.	Date: (yyyy/mm/dd) 2020/03/10	Pole ID:	



Hydro One Networks Inc.

© Copyright Hydro One Networks Inc. All rights reserved. This drawing may not be reproduced or copied, in whole or in part, in any printed, mechanical, electronic, film, or other distribution and storage media or used in any information storage or retrieval system outside of Hydro One Networks Inc., without the written consent of Hydro One Networks Inc.

Information contained in this drawing is considered to be confidential. Recipients shall only use the drawing for its intended purpose and shall take necessary measures to prevent disclosure or transmittal to outside parties.

**EQUIPMENT FOUNDATION INSTALLATION
CONCRETE FOUNDATION
FOR DIRECT BURIED INSTALLATIONS**

Drawing No.

DU15-121-0500

Rev. No.

01

TITLE BLOCK REV 02 - AUGUST 2014

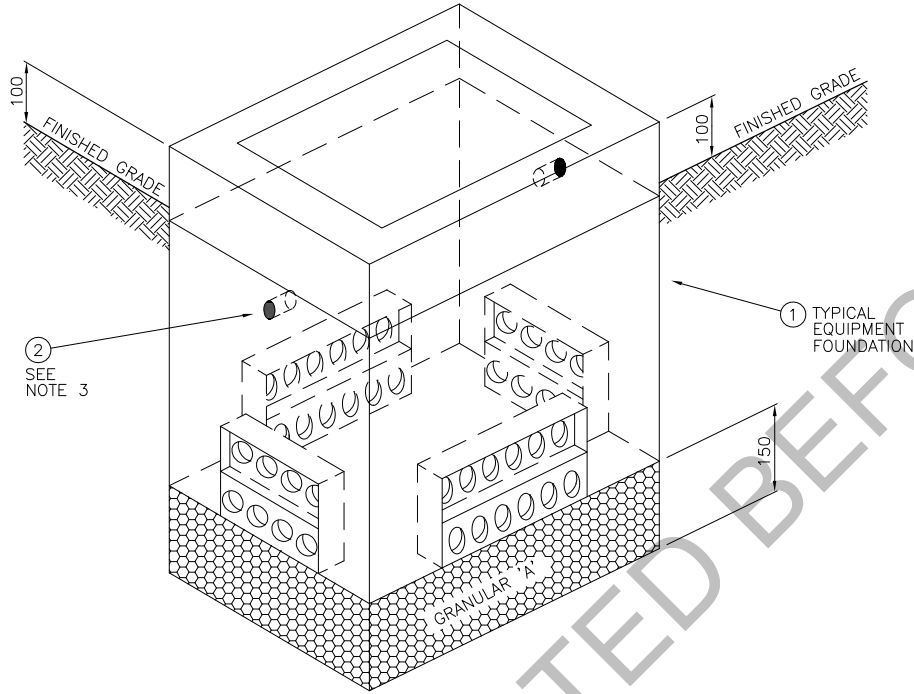


FIG.1
ISOMETRIC VIEW

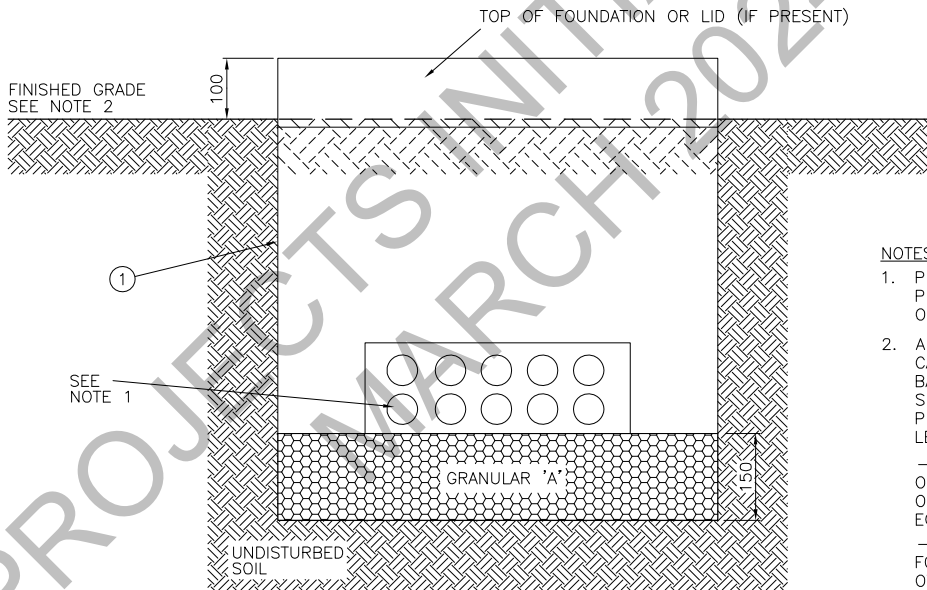


FIG.2
ELEVATION VIEW

NOTES:

1. PRIMARY CABLES SHALL BE PLACED THRU THE LOWER OPENINGS.
2. AFTER INSTALLATION OF CABLES AND GROUNDING, BACKFILL AND LEVEL THE SPACE, AS BELOW, TO THE PROPOSED FINISHED GRADE LEVEL.
 - 3.0 m SPACE IN FRONT OF FOUNDATION EDGE(S) ON OPERATION SIDE(S) OF EQUIPMENT.
 - 1.0 m IN FRONT OF FOUNDATION EDGES FOR OTHER SIDES.
3. PLUG LIFTING HOLES WITH DUCT SEALING COMPOUND.

ALL DIMENSIONS IN MILLIMETRES
UNLESS OTHERWISE STATED

PARTS LIST			
PART No.	MM No.	DESCRIPTION	QTY.
1	MM#	DISTRIBUTION EQUIPMENT FOUNDATION, CONCRETE, PRECAST	1
2	30009051	SEALANT, COMPOUND, DUCT SEALING	A/R
MM# = REFER TO SECTION 16 ONLY A/R = AS REQUIRED			

03	SEP 2018	GENERAL UPDATES. CHANGED TO NEW DWG. & NUMBERING FORMAT. FOR PREVIOUS REVISIONS REFER TO DU-03-210-R2.	SO	PC	AS	PS
02	OCT 2011	MM# ADDED				
Rev No.	Date	Revision Particulars	dwn	ckd	des	app

Drawn By: W.B.	Checked By:	Designed By:	Design Approved By:
Scale: N.T.S.	Date: (yyyy/mm/dd) 2011/10/27	Pole ID:	
Title: EQUIPMENT FOUNDATION INSTALLATION			



© Copyright Hydro One Networks Inc. All rights reserved. This drawing may not be reproduced or copied, in whole or in part, in any printed, mechanical, electronic, film, or other distribution and storage media or used in any information storage or retrieval system outside of Hydro One Networks Inc., without the written consent of Hydro One Networks Inc.
Information contained in this drawing is considered to be confidential. Recipients shall only use the drawing for its intended purpose and shall take necessary measures to prevent disclosure or transmittal to outside parties.

Drawing No. DU-03-210-0500	Rev. No. 03
-------------------------------	----------------