

FIG.2
TRANSITION WITH STRAIGHT GUARD
OVER CONDUIT
(SEE NOTES 2 & 4)

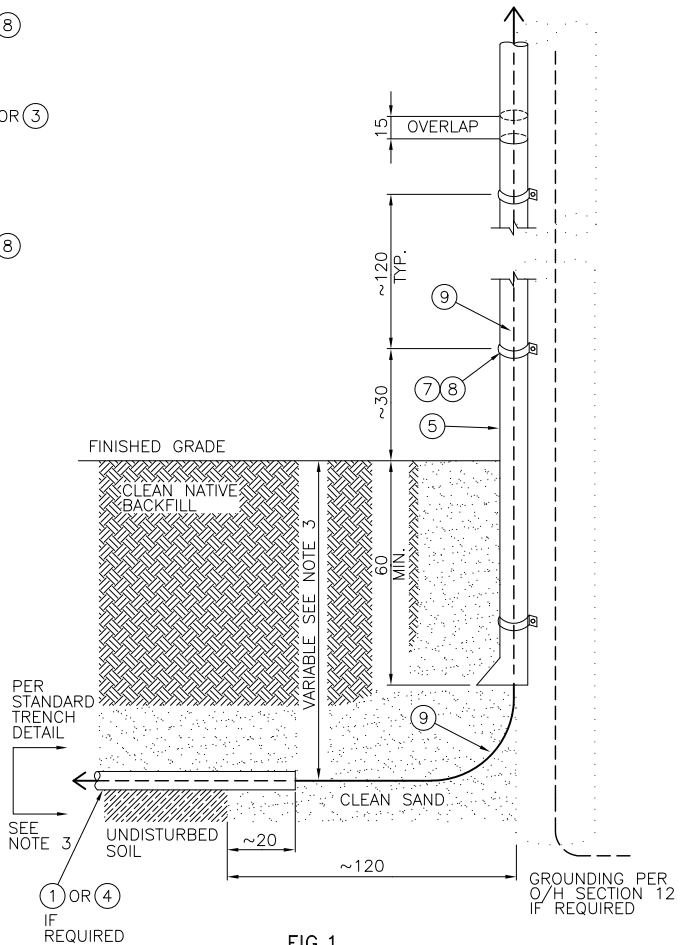


FIG.1
TRANSITION FROM DUCT/CONDUIT
WITH FLARED GUARD
(SEE NOTES 1 & 4)

NOTES:

1. FOR FLARED GUARD APPLICATIONS SEE DU15-141-0500.
2. FOR STRAIGHT GUARD APPLICATIONS SEE DU15-142-0500 OR DU5-143-0500.
3. DEPTH OF BURIAL IS MINIMUM 60cm ON PRIVATE PROPERTY OR 90cm ON ROAD ALLOWANCE. ROAD AUTHORITY APPROVAL REQUIRED WHEN TRENCHING ON ROAD ALLOWANCE. MECHANICAL PROTECTION (CONCRETE ENCASEMENT) REQUIRED FOR REDUCED DEPTH OR CLEARANCES. SEE TABLE 3 IN SECTION 6.
4. ALSO APPLICABLE TO POLY-PHASE SYSTEMS, SINGLE PHASE SHOWN FOR DRAWING CLARITY.
5. DRAWING REPRESENTS A TYPICAL INSTALLATION ONLY. CUSTOMER OWNED PLANT TO BE CONSTRUCTED BY THE CUSTOMER AND INSPECTED BY THE ELECTRICAL SAFETY AUTHORITY (ESA). DEVIATIONS MUST MEET HYDRO ONE REQUIREMENTS PER THIS STANDARD.
6. UNDERGROUND OR ENCASED DUCT COMPONENTS MAY BE SUBSTITUTED WITH FLEXIBLE PVC CONDUIT IF REQUIRED. SEE SECTION 16 - CONDUITS & FITTINGS.

ALL DIMENSIONS IN CENTIMETRES
UNLESS OTHERWISE STATED

PARTS LIST			
PART No.	MM No.	DESCRIPTION	QTY.
1	30007710	DUCT, 4" DIA, 10' LONG, DB2, PVC	N/A A/R
2	30007542	CONDUIT, 2" X 10', BELL END, SCHEDULE 40, PVC	A/R A/R
3	30007544	CONDUIT, 3" X 10', BELL END, SCHEDULE 40, PVC	A/R A/R
4	30007583	CONDUIT, 4" X 10', BELL END, SCHEDULE 40, PVC	A/R A/R
5	MM#	GUARD, CABLE, FLARED	A/R A/R
6	MM#	GUARD, CABLE, STRAIGHT	A/R A/R
7	MM#	STRAP, CONDUIT	A/R A/R
8	30001989	BOLT, LAG, HEX., 1/4", 2-1/2" LONG, GALV.	A/R A/R
9	MM#	CABLE UNDERGROUND, UP TO 46kv	A/R A/R
MM# = REFER TO SECTION 16 ONLY			A/R = AS REQUIRED
N/A = NOT APPLICABLE			

01	SEPT 2023	ORIGINAL DU-08-307-0500-R1 IS NOW SUPERSEDED BY THIS NEW DRAWING/REVISION. CHANGED TO SECTION 15. NOT TO BE USED FOR NEW CONSTRUCTION. GENERAL UPDATES. CHANGED TO NEW DWG. & NUMBERING FORMAT.	PC	MM	MM	MM
Rev No.	Date	Revision Particulars	dwn	ckd	des	app

Drawn By: PC	Checked By: M.MATEVSKI	Designed By: M.MATEVSKI	Design Approved By: M.MATEVSKI P.Eng.
Scale: N.T.S.	Date: (yyyy/mm/dd) 2023/05/11	Pole ID:	

hydro one **Hydro One Networks Inc.**

Title:
TRANSITION OF DIRECT BURIED CABLES
TRENCH TO POLE,
UP TO 44kv

© Copyright Hydro One Networks Inc. All rights reserved. This drawing may not be reproduced or copied, in whole or in part, in any printed, mechanical, electronic, film, or other distribution and storage media or used in any information storage or retrieval system outside of Hydro One Networks Inc., without the written consent of Hydro One Networks Inc.
Information contained in this drawing is considered to be confidential. Recipients shall only use the drawing for its intended purpose and shall take necessary measures to prevent disclosure or transmittal to outside parties.

Drawing No.
DU15-144-0500

Rev. No.
01

TITLE BLOCK REV 02 - AUGUST 2014

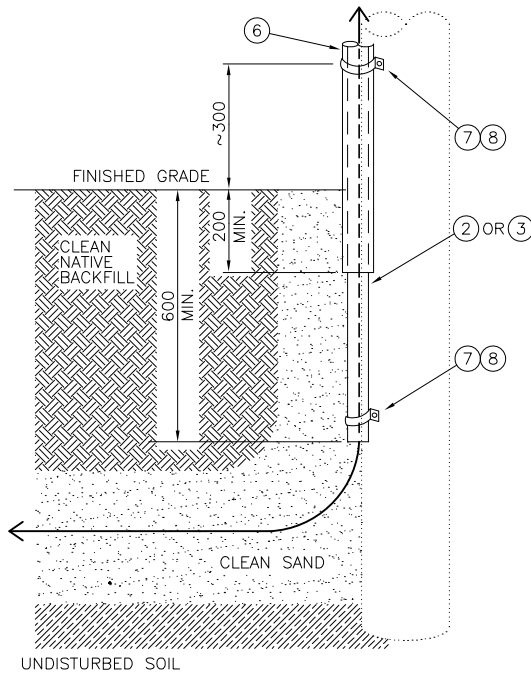


FIG. 2
TRANSITION WITH STRAIGHT GUARD
OVER CONDUIT
(SEE NOTES 2 & 4)

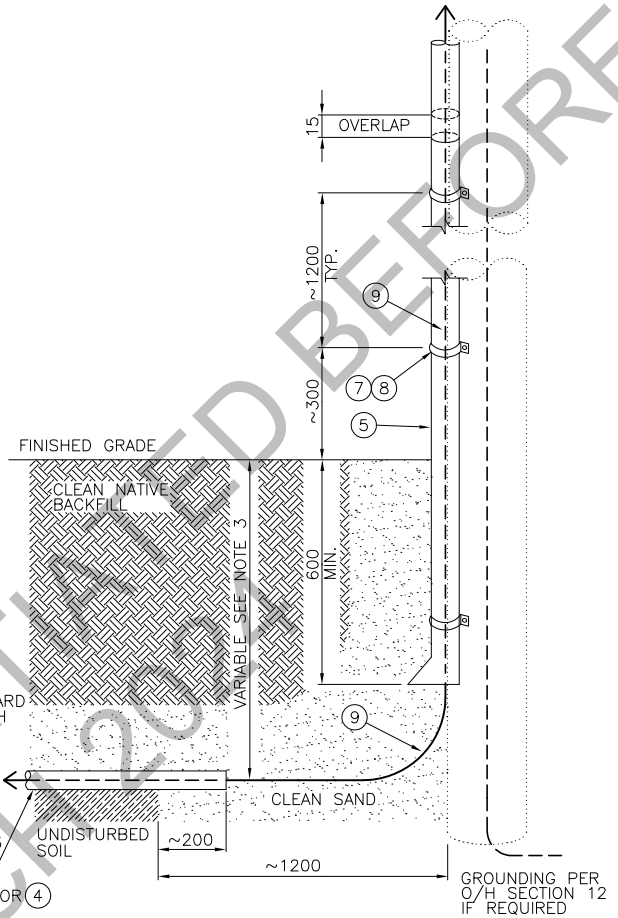


FIG. 1
TRANSITION FROM DUCT/CONDUIT
WITH FLARED GUARD
(SEE NOTES 1 & 4)

NOTES:

1. FOR FLARED GUARD APPLICATIONS SEE DU-08-302-0500.
2. FOR STRAIGHT GUARD APPLICATIONS SEE DU-08-302.1-0500 OR DU-08-302.2-0500.
3. DEPTH OF BURIAL IS MINIMUM 600mm ON PRIVATE PROPERTY OR 900mm ON ROAD ALLOWANCE. ROAD AUTHORITY APPROVAL REQUIRED WHEN TRENCHING ON ROAD ALLOWANCE. MECHANICAL PROTECTION (CONCRETE ENCASEMENT) REQUIRED FOR REDUCED DEPTH OR CLEARANCES. SEE TABLE 1 IN SECTION 3D.
4. ALSO APPLICABLE TO POLY-PHASE SYSTEMS, SINGLE PHASE SHOWN FOR DRAWING CLARITY.
5. DRAWING REPRESENTS A TYPICAL INSTALLATION ONLY. CUSTOMER OWNED PLANT TO BE CONSTRUCTED BY THE CUSTOMER AND INSPECTED BY THE ELECTRICAL SAFETY AUTHORITY (ESA). DEVIATIONS MUST MEET HYDRO ONE REQUIREMENTS PER THIS STANDARD.
6. UNDERGROUND OR ENCASED DUCT COMPONENTS MAY BE SUBSTITUTED WITH FLEXIBLE PVC CONDUIT IF REQUIRED. SEE SECTION 16 - CONDUITS & FITTINGS.

ALL DIMENSIONS IN MILLIMETRES
UNLESS OTHERWISE STATED

PARTS LIST			
PART No.	MM No.	DESCRIPTION	QTY.
1	30007710	DUCT, 4", DB2, PVC	N/A A/R
2	30007542	CONDUIT, 2", RIGID PVC	A/R A/R
3	30007544	CONDUIT, 3", RIGID PVC	A/R A/R
4	30007583	CONDUIT, 4", RIGID PVC	A/R A/R
5	MM#	GUARD, CABLE, FLARED	A/R A/R
6	MM#	GUARD, CABLE, STRAIGHT	A/R A/R
7	MM#	STRAP, CONDUIT	A/R A/R
8	30001989	BOLT, LAG, CONDUIT STRAP	A/R A/R
9	MM#	CABLE UNDERGROUND, UP TO 46kV	A/R A/R
MM# = REFER TO SECTION 16 ONLY A/R = AS REQUIRED			
N/A = NOT APPLICABLE			

*						
01	NOV 2017	GENERAL UPDATES. CHANGED TO NEW DWG. & NUMBERING FORMAT. FOR PREVIOUS REVISIONS REFER TO DU-08-307-RO.	SO	PC	AS	JB
Rev No.	Date	Revision Particulars	dwn	ckd	des	app

Drawn By: LS	Checked By:	Designed By:	Design Approved By:
Scale: N.T.S.	Date: (yyyy/mm/dd) 2014/07/18	Pole ID:	



Title:
TRANSITION OF DIRECT BURIED CABLES
TRENCH TO POLE,
UP TO 44kV

© Copyright Hydro One Networks Inc. All rights reserved. This drawing may not be reproduced or copied, in whole or in part, in any printed, mechanical, electronic, film, or other distribution and storage media or used in any information storage or retrieval system outside of Hydro One Networks Inc., without the written consent of Hydro One Networks Inc.
Information contained in this drawing is considered to be confidential. Recipients shall only use the drawing for its intended purpose and shall take necessary measures to prevent disclosure or transmittal to outside parties.

Drawing No. DU-08-307-0500	Rev. No. 01
-------------------------------	----------------