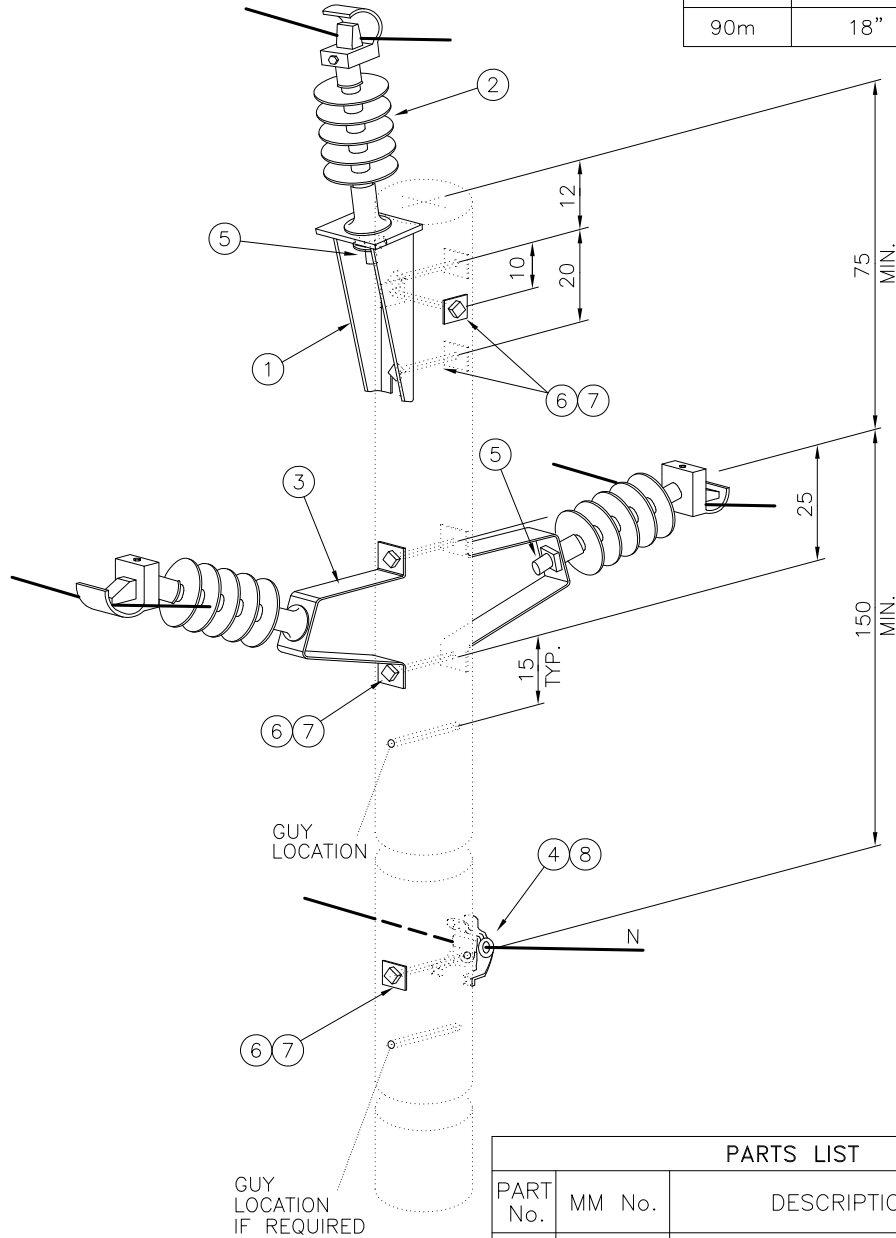


| FOR MAX. SPAN | STAND-OFF BRACKET | |
|---------------|-------------------|--------------|
| | 28kV FRAMING | 15kV FRAMING |
| 75m | 9" | 9" |
| 90m | 18" | |



ALL DIMENSIONS IN CENTIMETRES
UNLESS OTHERWISE STATED

| PARTS LIST | | | |
|--------------------------------|----------|-------------------------------|-------------------|
| PART No. | MM No. | DESCRIPTION | QTY. |
| 1 | 10000068 | BRACKET, POLE TOP, ANGLE | 1 |
| 2 | 30008431 | INSULATOR, LP15 WITH CLAMP OR | 3 |
| | 30008430 | INSULATOR, LP28 WITH CLAMP | |
| 3 | 30000801 | BRACKET, STAND-OFF (SEE SPAN) | 2 |
| | 30000962 | | |
| 4 | 30000808 | CLAMP, NEUTRAL CONDUCTOR | 1 |
| | 30029184 | | |
| 5 | 30000905 | STUD, INSULATOR, 3/4" x 3" | 3 |
| 6 | MM# | BOLT, 3/4" | 6 |
| 7 | 30001595 | WASHER, 3/4" x 2" x 2" | 7 |
| 8 | 10000108 | LOCKWASHER, FOR 3/4" BOLT | 1 |
| MM# = REFER TO SECTION 16 ONLY | | | A/R = AS REQUIRED |

| | | | | | | |
|---------|------------|---|-----|-----|-----|-----|
| 03 | APRIL 2023 | CORRECTED QUANTITIES FOR PART NUMBERS 7 & 8. | PC | DK | DK | MM |
| 02 | MAY 2017 | GENERAL UPDATES. CHANGED TO NEW DWG. & NUMBERING FORMAT. FOR PREVIOUS REVISION REFER TO DL3-107-R1. | SO | PC | MM | JB |
| Rev No. | Date | Revision Particulars | dwn | ckd | des | app |

| | | | |
|-------------------------|---|--------------|---------------------|
| Drawn By: WB | Checked By: PC | Designed By: | Design Approved By: |
| Scale: N.T.S. | Date: (yyyy/mm/dd) 2011/08/25 | Pole ID: | |



Title:
**PRIMARY 3-PH LINE ANGLE UP TO 15°
3Ø, 2.4/4.16kV TO 16/27.6kV**

© Copyright Hydro One Networks Inc. All rights reserved. This drawing may not be reproduced or copied, in whole or in part, in any printed, mechanical, electronic, film, or other distribution and storage media or used in any information storage or retrieval system outside of Hydro One Networks Inc., without the written consent of Hydro One Networks Inc.
Information contained in this drawing is considered to be confidential. Recipients shall only use the drawing for its intended purpose and shall take necessary measures to prevent disclosure or transmittal to outside parties.

| | |
|------------------------------------|-----------------------|
| Drawing No. DL3-107-0500 | Rev. No. 03 |
|------------------------------------|-----------------------|

TITLE BLOCK REV 02 – AUGUST 2014