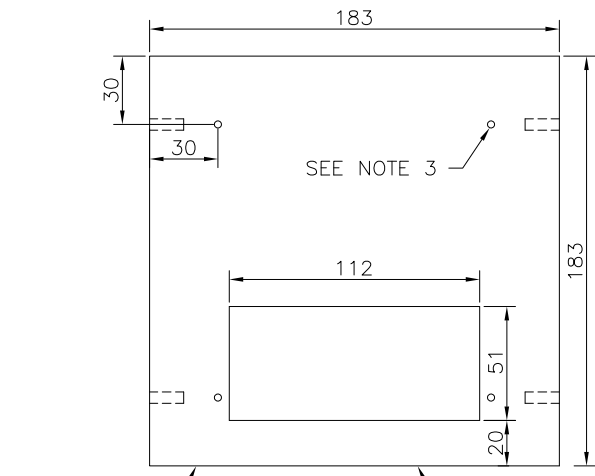
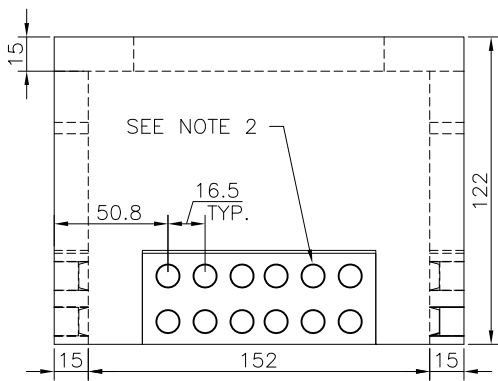


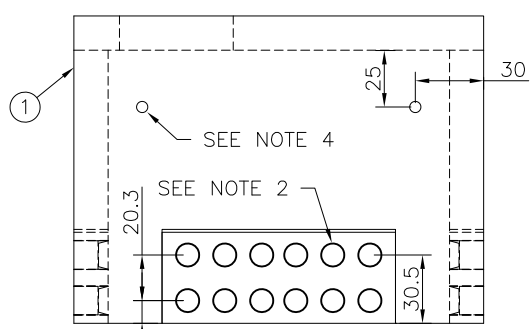
FOUNDATION
TOP VIEW



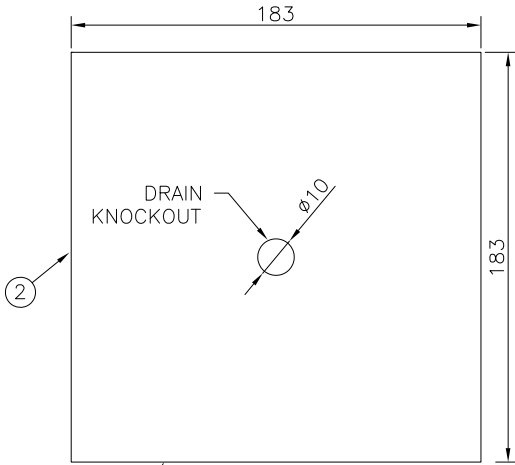
SEE NOTE 5
LID
TOP VIEW
OPERATING
SIDE



FOUNDATION
FRONT VIEW



FOUNDATION
SIDE VIEW



SEE NOTE 6
CONCRETE BASE
TOP VIEW

NOTES:

1. APPROXIMATE MASS OF FOUNDATION IS 2730 KG.
2. CABLE ENTRY OPENINGS: PVC SEALS FOR 10cm (4") DUCTS.
3. 1/2" x 2" UNC PLASTIC THREADED INSERT.
4. 5cm (2") LIFTING HOLE OR SWIFT LIFT SYSTEM.
5. LID THICKNESS = 15cm, LID MASS = 1000 KG.
6. A CONCRETE BASE (PART #2) IS AVAILABLE FOR INSTALLATIONS IN SOIL WITH POOR BEARING CAPACITY.

PARTS LIST

PART No.	MM No.	DESCRIPTION	QTY.
1	30031406	CONCRETE FOUNDATION WITH LID (TWO-PIECES)- FOR THREE PHASE TRANSFORMER (150-500kVA)	1
2	30031407	CONCRETE BASE - FOR THREE PHASE TRANSFORMER	A/R

MM# = REFER TO SECTION 16 ONLY | A/R = AS REQUIRED

ALL DIMENSIONS IN CENTIMETRES UNLESS OTHERWISE STATED

01	SEPT 2023	ORIGINAL DU-09-202-R1 COMBINED WITH DU-09-102-R1 ARE NOW SUPERSEDED BY THIS NEW DRAWING/REVISION. CHANGED TO SECTION 4. CHANGED TO NEW DWG. & NUMBERING FORMAT.	PC	MM	XZ	MM	Drawn By: PC	Checked By: M.MATEVSKI	Designed By: X.ZHANG	Design Approved By: M.MATEVSKI P.Eng.
Rev No.	Date	Revision Particulars	dwn	ckd	des	app	Scale: N.T.S.	Date: 2020/02/28	Pole ID:	

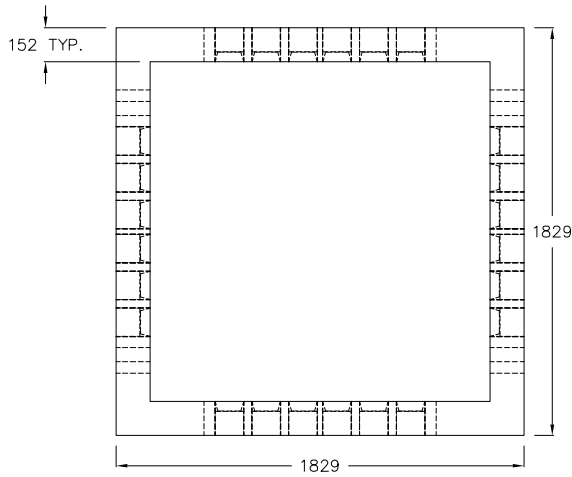


Title:
TYPICAL CONCRETE FOUNDATION
3-PH PAD-MOUNTED TRANSFORMER (150-500kVA)

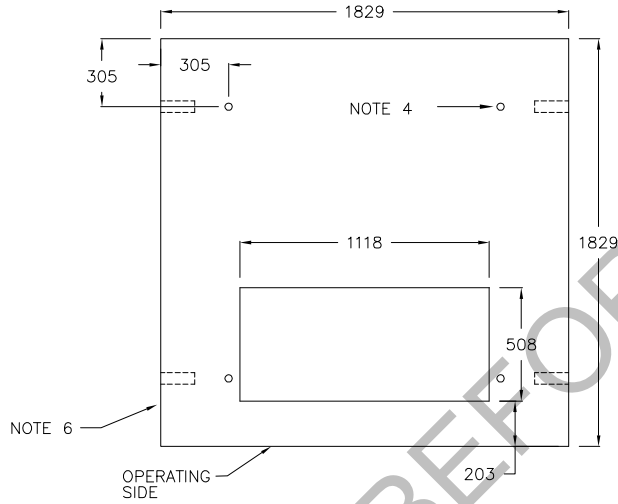
© Copyright Hydro One Networks Inc. All rights reserved. This drawing may not be reproduced or copied, in whole or in part, in any printed, mechanical, electronic, film, or other distribution and storage media or used in any information storage or retrieval system outside of Hydro One Networks Inc., without the written consent of Hydro One Networks Inc.
Information contained in this drawing is considered to be confidential. Recipients shall only use the drawing for its intended purpose and shall take necessary measures to prevent disclosure or transmittal to outside parties.

Drawing No. DU4-102-0500	Rev. No. 01
-----------------------------	----------------

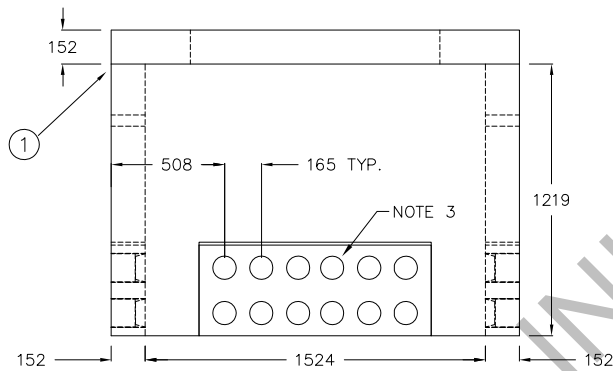
TITLE BLOCK REV 02 - AUGUST 2014



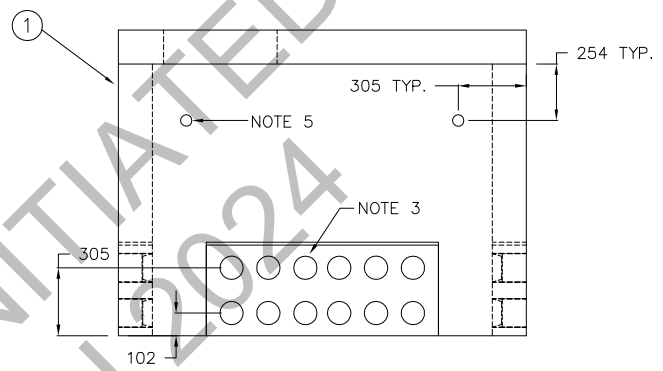
FOUNDATION TOP VIEW



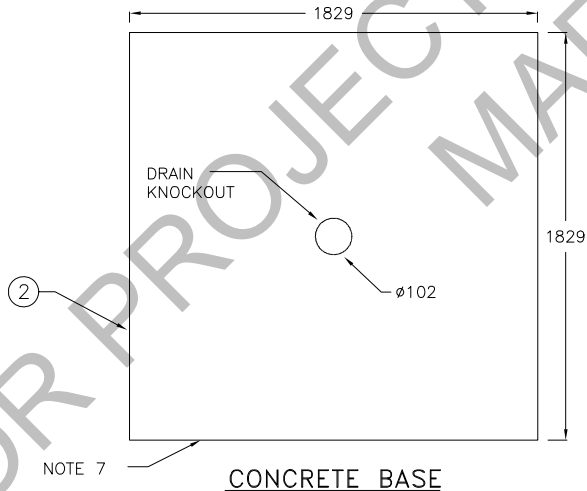
LID TOP VIEW



FOUNDATION FRONT VIEW



FOUNDATION RIGHT VIEW



CONCRETE BASE

NOTES:

1. ALL DIMENSIONS ARE IN mm UNLESS STATED OTHERWISE.
2. APPROXIMATE MASS OF FOUNDATION IS 2730 kg.
3. CABLE ENTRY OPENINGS: PVC SEALS FOR 100mm DUCTS.
4. 1/2" x 2" UNC PLASTIC THREADED INSERT.
5. 50mm LIFTING HOLE OR SWIFT LIFT SYSTEM.
6. LID THICKNESS = 152mm, LID MASS = 1000 kg.
7. A CONCRETE BASE (PART #2) IS AVAILABLE FOR INSTALLATIONS IN SOIL WITH POOR BEARING CAPACITY.

PARTS LIST			
PART No.	MM No.	DESCRIPTION	QTY.
1	30031406	CONCRETE FOUNDATION WITH LID(TWO-PIECES)-FOR THREE PHASE TRANSFORMER (150-500kVA)	A/R
2	30031407	CONCRETE BASE - FOR THREE PHASE TRANSFORMER	A/R
MM# = REFER TO SECTION 16 ONLY A/R = AS REQUIRED			

* 01	* JULY 2014	* ADDED NOTE #7, BASE & UPDATED PARTS LIST	* SO
Rev. No.	Issue Date	Revision	Dwn By Date
© Copyright Hydro One Networks Inc. All rights reserved. This drawing may not be reproduced or copied, in whole or in part, in any printed, mechanical, electronic, film, or other distribution and storage media or used in any information storage or retrieval system outside of Hydro One Networks Inc., without the written consent of Hydro One Networks Inc. Information contained in this drawing is considered to be confidential. Recipients shall only use the drawing for its intended purpose and shall take necessary measures to prevent disclosure or transmittal to outside parties.			

		Hydro One Networks Inc.	
Drawn:	S.00RT	Approved:	*
		Date:	NOV.01,2011
TYPICAL CONCRETE FOUNDATION - THREE PHASE PAD-MOUNTED TRANSFORMER (150-500kVA)			
Dwg. No.	DU-09-202	Rev.	01