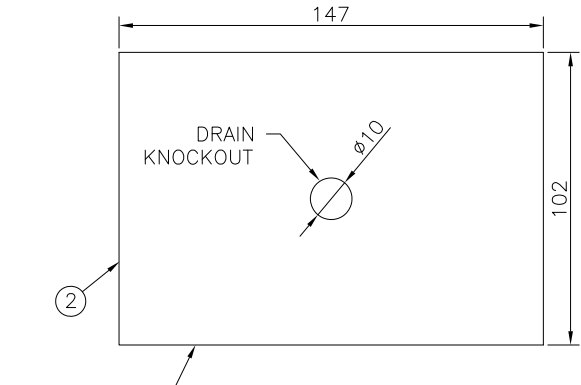
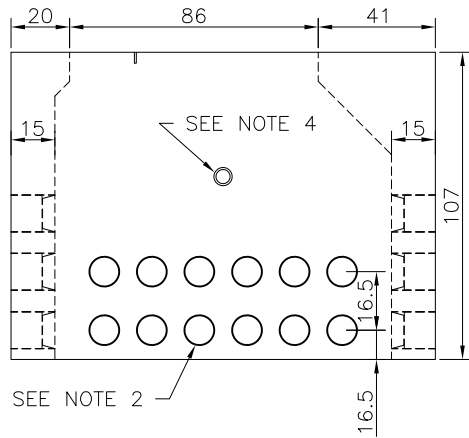


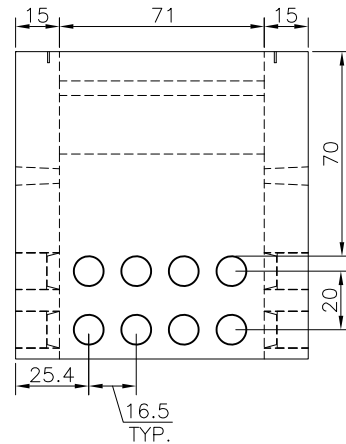
FOUNDATION  
TOP VIEW



CONCRETE BASE  
TOP VIEW



FOUNDATION  
FRONT VIEW



FOUNDATION  
SIDE VIEW

NOTES:

1. APPROXIMATE MASS OF FOUNDATION IS 1640 KG.
2. CABLE ENTRY OPENINGS: PVC SEALS FOR 10cm (4") DUCTS.
3. 1/2" x 2" UNC PLASTIC THREADED INSERT.
4. 5cm (2") LIFTING HOLE OR SWIFT LIFT SYSTEM.
5. A CONCRETE BASE (PART #2) IS AVAILABLE FOR INSTALLATIONS IN SOIL WITH POOR BEARING CAPACITY.

PARTS LIST

PART No.	MM No.	DESCRIPTION	QTY.
1	30037362	CONCRETE FOUNDATION – FOR CONVENTIONAL SINGLE PHASE TRANSF. – 42" DEEP, 40 PORTS	1
2	30031405	CONCRETE BASE – FOR CONVENTIONAL SINGLE PHASE TRANSFORMER	A/R
MM# = REFER TO SECTION 16 ONLY		A/R = AS REQUIRED	

ALL DIMENSIONS IN CENTIMETRES UNLESS OTHERWISE STATED

01	SEPT 2023	ORIGINAL DU-09-201-0500-R2 COMBINED WITH DU-09-101-0500-R2 ARE NOW SUPERSEDED BY THIS NEW DRAWING/REVISION. CHANGED TO SECTION 4. CHANGED TO NEW DWG. & NUMBERING FORMAT.	PC	MM	XZ	MM	Drawn By: PC	Checked By: M.MATEVSKI	Designed By: X.ZHANG	Design Approved By: M.MATEVSKI P.Eng.
Rev No.	Date	Revision Particulars	dwn	ckd	des	app	Scale: N.T.S.	Date: (yyyy/mm/dd) 2020/02/28	Pole ID:	



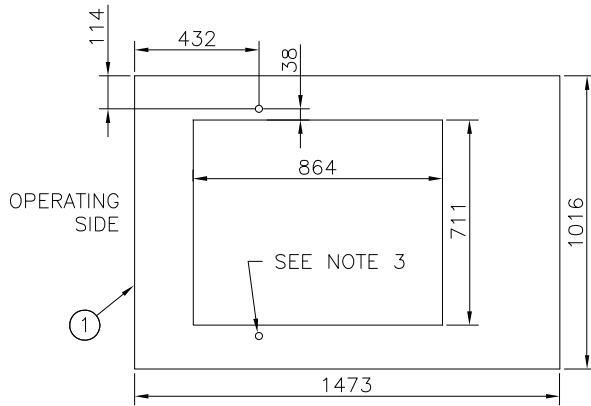
© Copyright Hydro One Networks Inc. All rights reserved. This drawing may not be reproduced or copied, in whole or in part, in any printed, mechanical, electronic, film, or other distribution and storage media or used in any information storage or retrieval system outside of Hydro One Networks Inc., without the written consent of Hydro One Networks Inc.  
Information contained in this drawing is considered to be confidential. Recipients shall only use the drawing for its intended purpose and shall take necessary measures to prevent disclosure or transmittal to outside parties.

Title:  
TYPICAL CONCRETE FOUNDATION  
CONVENTIONAL 1-PH PAD-MOUNTED TRANSFORMER  
42" DEEP FOUNDATION

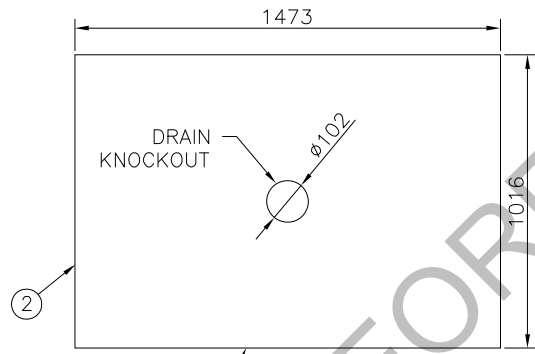
Drawing No.  
DU4-105-0500

Rev. No.  
01

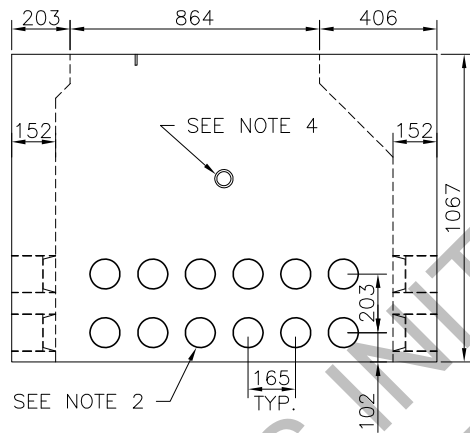
TITLE BLOCK REV 02 – AUGUST 2014



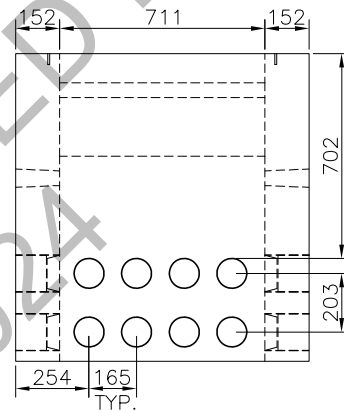
FOUNDATION  
TOP VIEW



CONCRETE BASE  
TOP VIEW



FOUNDATION  
FRONT VIEW



FOUNDATION  
SIDE VIEW

NOTES:

1. APPROXIMATE MASS OF FOUNDATION IS 1640 KG.
2. CABLE ENTRY OPENINGS: PVC SEALS FOR 10cm (4") DUCTS.
3. 1/2" x 2" UNC PLASTIC THREADED INSERT.
4. 5cm (2") LIFTING HOLE OR SWIFT LIFT SYSTEM.
5. A CONCRETE BASE (PART #2) IS AVAILABLE FOR INSTALLATIONS IN SOIL WITH POOR BEARING CAPACITY.

PARTS LIST

PART No.	MM No.	DESCRIPTION	QTY.
1	30037362	CONCRETE FOUNDATION – FOR CONVENTIONAL SINGLE PHASE TRANSF. – 42" DEEP, 40 PORTS	1
2	30031405	CONCRETE BASE – FOR CONVENTIONAL SINGLE PHASE TRANSFORMER	A/R

MM# = REFER TO SECTION 16 ONLY      A/R = AS REQUIRED

ALL DIMENSIONS IN MILLIMETRES UNLESS OTHERWISE STATED

02	OCT 2021	GENERAL UPDATES. CHANGED TO NEW DWG. & NUMBERING FORMAT. UPDATED DWG. NAME TO 42" DEEP FOUNDATION. NEW DWG. DU-09-201.1-0500 WAS ADDED FOR 48" DEEP FOUNDATION.	PC	MM	XZ	MM
01	JUL 2014	ADDED NOTE #6, BASE & UPDATED PARTS LIST.	SO	PC		
Rev No.	Date	Revision Particulars	dwn	ckd	des	app

Drawn By: SO	Checked By:	Designed By:	Design Approved By:
Scale: N.T.S.	Date: (yyyy/mm/dd) 2011/11/08	Pole ID:	



Hydro One Networks Inc.

© Copyright Hydro One Networks Inc. All rights reserved. This drawing may not be reproduced or copied, in whole or in part, in any printed, mechanical, electronic, film, or other distribution and storage media or used in any information storage or retrieval system outside of Hydro One Networks Inc., without the written consent of Hydro One Networks Inc.

Information contained in this drawing is considered to be confidential. Recipients shall only use the drawing for its intended purpose and shall take necessary measures to prevent disclosure or transmittal to outside parties.

Title:  
TYPICAL CONCRETE FOUNDATION  
CONVENTIONAL 1-PH PAD-MOUNTED TRANSFORMER  
42" DEEP FOUNDATION

Drawing No.  
DU-09-201-0500

Rev. No.  
02

TITLE BLOCK REV 02 – AUGUST 2014