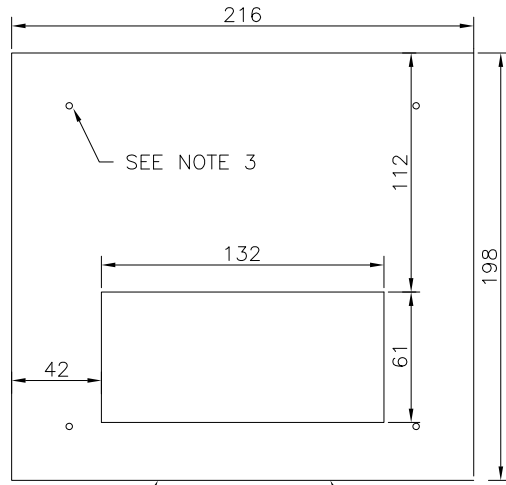
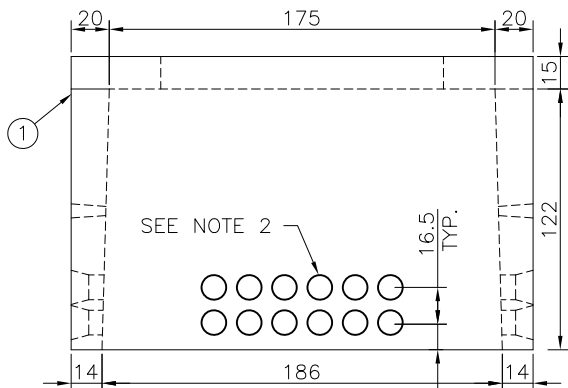


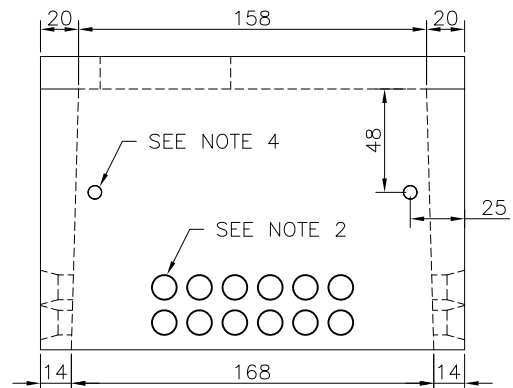
FOUNDATION
TOP VIEW



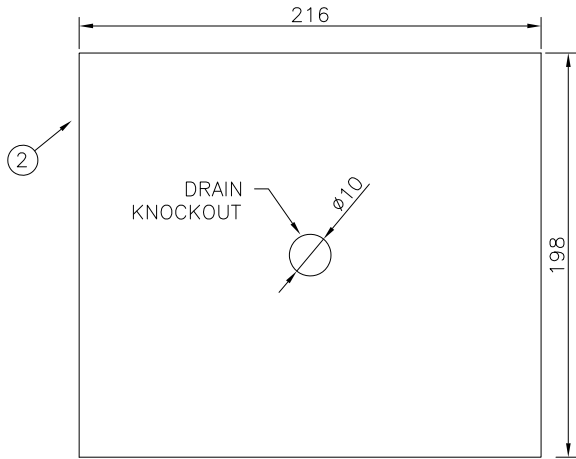
SEE NOTE 5 LID
TOP VIEW OPERATING VIEW



FOUNDATION
FRONT VIEW



FOUNDATION
SIDE VIEW



FOUNDATION
TOP VIEW

NOTES:

1. APPROXIMATE MASS OF FOUNDATION IS 3320 kG.
2. CABLE ENTRY OPENINGS: PVC SEALS FOR 10cm (4") DUCTS.
3. 1/2" x 2" UNC PLASTIC THREADED INSERT.
4. 5cm (2") LIFTING HOLE OR SWIFT LIFT SYSTEM.
5. LID THICKNESS = 15cm, LID MASS = 1345 kG.
6. A CONCRETE BASE (PART #2) IS AVAILABLE FOR INSTALLATIONS IN SOILS WITH POOR BEARING CAPACITY.

PARTS LIST

PART No.	MM No.	DESCRIPTION	QTY.
1	30031631	CONCRETE FOUNDATION WITH LID (TWO PIECES)-FOR 3-PH METERING UNIT	A/R
2	30038594	CONCRETE BASE-FOR 3-PH METERING UNIT	A/R

MM# = REFER TO SECTION 16 ONLY | A/R = AS REQUIRED

ALL DIMENSIONS ARE IN CENTIMETRES UNLESS STATED OTHERWISE

01	SEPT 2023	ORIGINAL DU-09-503-R0 IS NOW SUPERSEDED BY THIS NEW DRAWING/REVISION. CHANGED TO SECTION 4. GENERAL UPDATES. CHANGED TO NEW DWG. & NUMBERING FORMAT. ADDED CONCRETE BASE. ADDED MM#2 AND NOTE 6 FOR THE CONCRETE BASE.	PC	MM	XZ	MM
Rev No.	Date	Revision Particulars	dwn	ckd	des	app

Drawn By: PC	Checked By: M.MATEVSKI	Designed By: X.ZHANG	Design Approved By: M.MATEVSKI P.Eng.
Scale: N.T.S.	Date: (yyyy/mm/dd) 2020/03/05	Pole ID:	

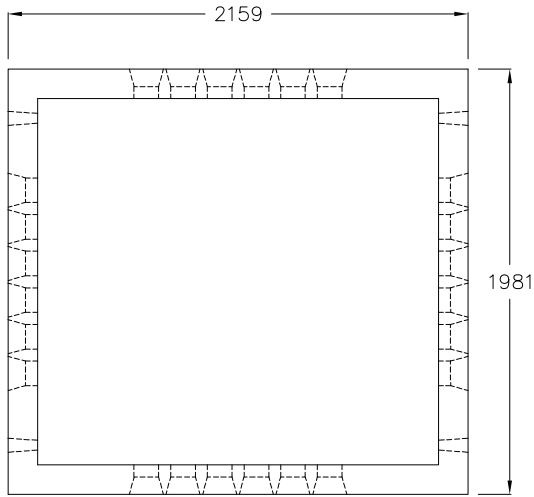


© Copyright Hydro One Networks Inc. All rights reserved. This drawing may not be reproduced or copied, in whole or in part, in any printed, mechanical, electronic, film, or other distribution and storage media or used in any information storage or retrieval system outside of Hydro One Networks Inc., without the written consent of Hydro One Networks Inc.
Information contained in this drawing is considered to be confidential. Recipients shall only use the drawing for its intended purpose and shall take necessary measures to prevent disclosure or transmittal to outside parties.

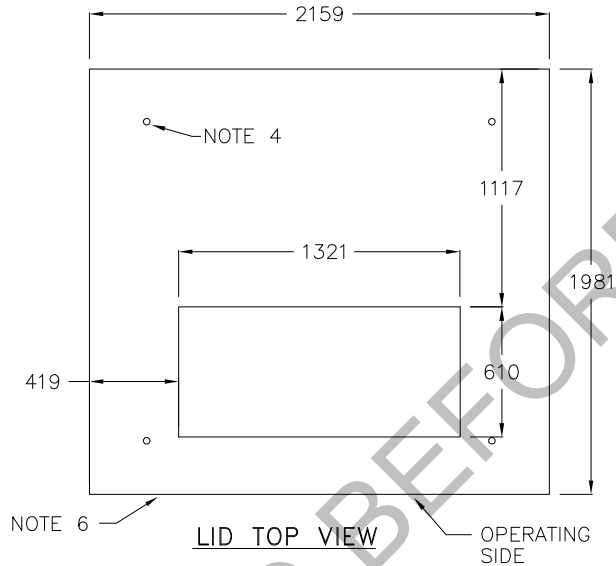
Title:
TYPICAL CONCRETE FOUNDATION
3-PH METERING UNIT

Drawing No. DU4-502-0500	Rev. No. 01
-----------------------------	----------------

TITLE BLOCK REV 02 - AUGUST 2014

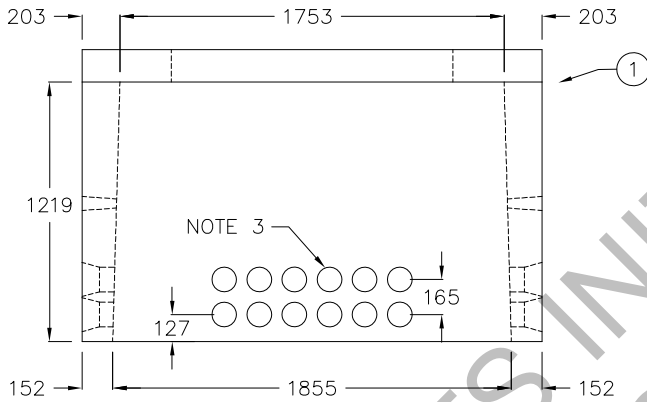


FOUNDATION TOP VIEW

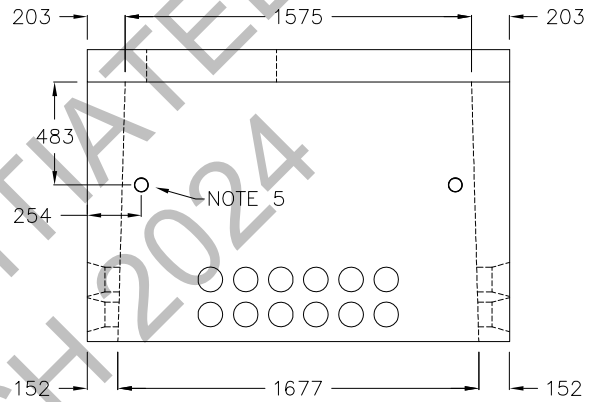


LID TOP VIEW

OPERATING SIDE



FOUNDATION FRONT VIEW



FOUNDATION RIGHT VIEW

- NOTES:
1. ALL DIMENSIONS ARE IN mm UNLESS STATED OTHERWISE.
 2. APPROXIMATE MASS OF FOUNDATION IS 2950 kg.
 3. CABLE ENTRY OPENINGS: PVC SEALS FOR 100mm DUCTS.
 4. 1/2" x 2" UNC PLASTIC THREADED INSERT.
 5. 50mm LIFTING HOLE OR SWIFT LIFT SYSTEM.
 6. LID THICKNESS = 152mm, LID MASS = 1345 kg.

PARTS LIST			
PART No.	MM No.	DESCRIPTION	QTY.
1	30031631	CONCRETE FOUNDATION WITH LID (TWO PIECES) - FOR THREE PHASE METERING UNIT	A/R
MM# = REFER TO SECTION 16 ONLY A/R = AS REQUIRED			

*	*	*	*	*
*	*	*	*	*
Rev. No.	Issue Date	Revision	Dwn By Date	Approved By Date
© Copyright Hydro One Networks Inc. All rights reserved. This drawing may not be reproduced or copied, in whole or in part, in any printed, mechanical, electronic, film, or other distribution and storage media or used in any information storage or retrieval system outside of Hydro One Networks Inc., without the written consent of Hydro One Networks Inc. Information contained in this drawing is considered to be confidential. Recipients shall only use the drawing for its intended purpose and shall take necessary measures to prevent disclosure or transmittal to outside parties.				
Drawn: S.00RT			Approved: *	
Date: JUN.19,2014				
TYPICAL CONCRETE FOUNDATION - THREE PHASE METERING UNIT				
Dwg. No. DU-09-503			Rev. 00	