

NOTES:

1. INSTALL THREE ADDITIONAL SURGE ARRESTERS ON NEXT LOAD SIDE POLE ON THE SAME CIRCUIT. ALTERNATIVELY, CONNECT ARRESTERS TO LOAD SIDE (CENTRE PHASE ARRESTER BRACKET TO BE ROTATED 180°) AND INSTALL THREE ADDITIONAL ARRESTERS ONTO THE NEXT LINE SIDE POLE. SEE SUB-SECTION 8-4. ARRESTER LEAD LENGTH TO BE AS SHORT AS POSSIBLE.
2. SIZE DROPLEADS & LIVE LINE CONNECTORS TO MATCH AMPACITY PER SECTION 7 AND REFER TO SECTION 6 FOR MINIMUM DROPLEAD CLEARANCES.
3. SPACE MOUNTING BOLTS FAR ENOUGH APART TO ENSURE THAT ALL MASS IS SUPPORTED ON THE TOP BOLT.
4. FOR MODULAR METERING UNIT (CT & VT) AND METER ENCLOSURE WIRING DIAGRAMS AND EQUIPMENT SELECTION, REFER TO SELECTION RMS OF RETAIL METERING STANDARDS.
5. H1 (VT) LEAD MUST BE CONNECTED TO LINE (UTILITY) SIDE CONNECTION OF CT.
6. ENSURE H2 (VT) BUSHING AND PLATFORM IS CONNECTED TO A COMMON GROUNDING LUG WHICH IS BONDED TO THE DOWN GROUND WIRE. SEE 'D2' FOR TWO-BUSHING VT ARRANGEMENT.
7. METERING ENCLOSURE MAY BE ROTATED AROUND THE POLE FOR EASIER ACCESS, IF REQUIRED.
8. MAINTAIN 120cm TO NEUTRAL OR 180cm TO NEAREST PHASE OF THE UNDERBUILT CIRCUIT IF PRESENT.
9. UNDERBUILD CROSSARM FRAMING (DL3-120.2-0500) ACCEPTABLE FOR USE WHERE REQUIRED. STAGGER IN-LINE (BY-PASS) SWITCHES TO MAINTAIN ADEQUATE CLEARANCES.
10. FOR PARTS AND FRAMING REFER TO DL8-104.1-0500 OR DL8-105.3-0500 FOR APPLICABLE IN-LINE (BY-PASS) SWITCHES, AND TANGENT OR UNDERBUILT FRAMINGS.
11. PARTS #'S 11 AND 53 ARE SUPPLIED WITH PART #7.
12. USE SECTION 4 AND METERING EQUIPMENT WEIGHT WHEN CLASSING THE POLE.
13. FOR COMPOSITE POLE APPLICATIONS USE BEARING PLATES AND HARDWARE PER SECTION 3C AND 9C. COORDINATE WITH MODULAR METERING UNIT AND METER ENCLOSURE SUPPORT BRACKET SUPPLIERS TO PROVIDE BRACKETS WITHOUT SHARP EDGES OR CUSTOMIZED BEARING PLATES FOR COMPOSITE POLE APPLICATIONS.
14. THE PMU SECONDARY WIRE COLOUR CODE SHALL MATCH THAT OF THE PRIMARY LINE COLOUR CODE.

FOR SHEET 2 OF THIS DRAWING SEE DL11-302-0501
ALL DIMENSIONS IN CENTIMETRES UNLESS OTHERWISE STATED

FIG.1
SINGLE BUSHING VT CONNECTIONS AND BONDING

03	FEB 2023	UPDATED NOTE 10 TO ALLOW FOR DL8-105.3-0500 AS AN ADDITIONAL IN-LINE (BY-PASS) SWITCH APPLICABLE FRAMING. REMOVED OLD PART#10 AND REPLACED WITH OLD PART#61. FOR APPLICABLE IN-LINE (BY-PASS) SWITCH PARTS AND COMPONENTS SEE DL8-104.1-0500 OR DL8-105.3-0500.	PC	MM	DK	MM				
02	FEB 2022	GENERAL UPDATE TO PARTS, LAYOUTS AND NOTES 1 & 11. ELIMINATED POLE CLASS LIMITS IN NOTE 12. ADDED NOTE 14. CHANGED 'D2' TO 'FIG.2' AND REFERENCED MAIN LAYOUT AS 'FIG.1'.	PC	MM	MM	MM				
Rev No.	Date	Revision Particulars	dwn	ckd	des	app	Title:			
							RETAIL METERING PRIMARY 3-PH, 4-WIRE GROUNDED WYE (3-ELEMENT) 2.4/4.16kV TO 16/27.6kV			
© Copyright Hydro One Networks Inc. All rights reserved. This drawing may not be reproduced or copied, in whole or in part, in any printed, mechanical, electronic, film, or other distribution and storage media or used in any information storage or retrieval system outside of Hydro One Networks Inc., without the written consent of Hydro One Networks Inc. Information contained in this drawing is considered to be confidential. Recipients shall only use the drawing for its intended purpose and shall take necessary measures to prevent disclosure or transmission to outside parties.							Drawing No. DL11-302-0500		Rev. No. 03	

TITLE BLOCK REV 02 - AUGUST 2014

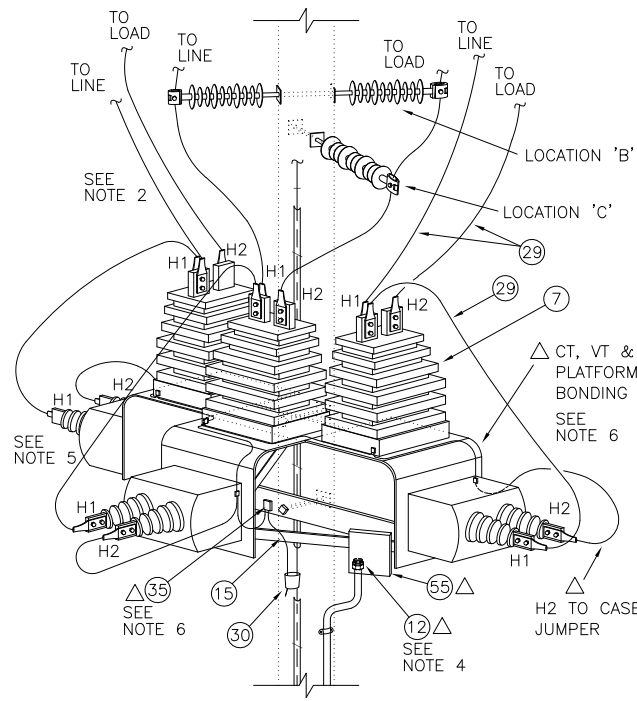
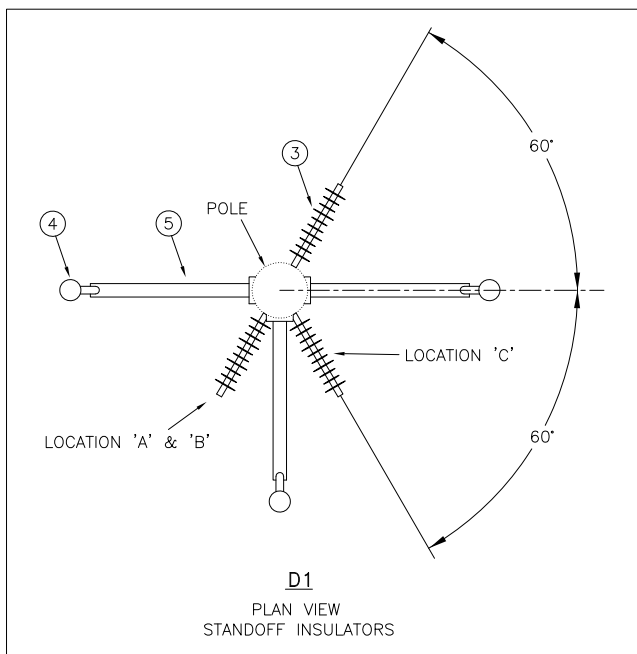


FIG.2
TWO BUSHING VT
CONNECTIONS AND BONDING

FOR SHEET 1 OF THIS DRAWING SEE DL11-302-0500

ALL DIMENSIONS IN CENTIMETRES
UNLESS OTHERWISE STATED

PARTS LIST			
PART No.	MM No.	DESCRIPTION	QTY.
1	MM#	STIRRUP	6
2	MM#	CONNECTOR, TAP, WEDGE-TYPE	A/R
3	30008425	INSULATOR, STANDOFF, 28kV	9
4	MM#	ARRESTER	3
5	30000825	BRACKET, CUTOUT/ARRESTER	3
6	MM#	CONNECTOR, TAP, WEDGE-TYPE FOR CCS	1
7	SEE NOTE 4	MODULAR METERING UNIT (CT/VT), 3-ELEMENT	1
8	MM#	CONNECTOR, LIVE LINE	6
9	30034591	MOULDING, GROUND WIRE	A/R
10	△	NEMA 4 PADDLE FOR H1 & H2 BUSHINGS	A/R
11	△	CONDUIT, 1", FLEX	A/R
12	△	CONNECTOR, BOX, 1" CONDUIT	2
13	30001734	NAIL, 1-3/4" LONG, GALV. WITH NEOPRENE WASHER	A/R
14	30000346	PADLOCK	1
15	30034306	CONDUCTOR, CCS, #3 AWG	A/R
16	30013378	STAPLE, 3", MOULDING	A/R
17	30000745	STRAP, PIPE, 1", 2-HOLE	A/R
18	SEE NOTE 4	METER ENCLOSURE	1
19	SEE NOTE 4	REVENUE METER	1
20	30008431	INSULATOR, LP15 WITH CLAMP OR	3
	30008430	INSULATOR, LP28 WITH CLAMP	
21	30000905	STUD, INSULATOR, 3/4" x 3"	1
22	30000800	BRACKET, POLE TOP, TANGENT	1
23	MM#	BOLT, 3/4"	A/R
24	30001595	WASHER, 3/4" x 2" x 2"	A/R
25	30000770	CLAMP REST, INSULATOR TYPE	6
26	30030842	TIE-WRAP, UV RESISTANT, 7.6mm x 370mm	A/R
27	30013881	STAPLE, GROUND WIRE, 1-1/2" x 3/8"	A/R
28	MM#	CONNECTOR, TERMINAL, COMPRESSION, 2-HOLE, CU, SIZED TO SUIT CONDUCTIVITY	A/R
29	MM#	CONDUCTOR, BARE COPPER	A/R
30	30007255	CONNECTOR, WEDGE-TYPE, FOR #3 AWG CCS	A/R
31	30035285	CONNECTOR, BOX, 1/2", CABLE GLAND, 10-14mm	1
32	30000808	CLAMP, NEUTRAL CONDUCTOR	1
	30029184		
33	10000108	LOCKWASHER, FOR 3/4" BOLT	1
34	30021308	BRACKET, MOUNTING, FOR P-BASE METER SUPPORT, C/W HARDWARE	1
35	△	BONDING LUG, MODULAR METERING UNIT	A/R
36	△	BONDING LUG, METER ENCLOSURE	A/R
37	30001613	WASHER, 3/4" x 4" x 4", CURVED	A/R
38	MM#	BOLT, 5/8"	A/R
39	30001594	WASHER, 5/8" x 2" x 2"	A/R
40	30001755	SCREW, LAG, 1/2" x 4-1/2"	3
41	30001602	WASHER, 5/8" x 3" x 3", CURVED	A/R
42	30000906	STUD, INSULATOR, 3/4" x 7"	2
43	△	BACK TO BACK LARGE WASHERS	4
44	30033547	CROSSARM, COMPOSITE, TANGENT, 9'-6"	1
45	30000952	BRACKET, CLAMP REST, "T" TYPE	2
46	MM#	BOLT, 3/4", DOUBLE ARMING	2
47	30006856	STUD, LIVE LINE	A/R
48	30006969	CONNECTOR, LIVE LINE, PIGTAIL, WEDGE-TYPE	A/R
49	30002145	SIGN, "KEEP OUT"	1
50	30032211	SCREW, SELF-TAPPING, HWH, 2"	A/R
51	30024726	STRAP, PIPE, 1/2", 2-HOLE	A/R
52	30025578	CONDUIT, 1/2", PVC	A/R
53	△	BUNDLED CONDUCTORS, #12, 600V	A/R
54	30007505	LOCKNUT, CONDUIT, STEEL, 1/2"	1
55	△	MARSHALLING BOX	1
56	30026618	BEARING PLATE, FOR COMPOSITE POLE, 5" x 12"	A/R
57	MM#	BEARING PLATE, FOR COMPOSITE POLE, 7" x 14"	A/R
58	30001166	BOLT, 1/2", 1-1/2" LONG, GALV., OR	A/R
	30001157	BOLT, 1/2", 2" LONG, GALV.	
59	30001591	WASHER, 1/2", GALV.	A/R
60	30001605	WASHER, LOCK, 1/2", GALV.	A/R
MM# = REFER TO SECTION 16 ONLY		A/R = AS REQUIRED	
△ = SUPPLIED WITH EQUIPMENT			

Rev No.	Date	Revision Particulars	dwn	ckd	des	app
03	FEB 2023	UPDATED NOTE 10 TO ALLOW FOR DL8-105.3-0500 AS AN ADDITIONAL IN-LINE (BY-PASS) SWITCH APPLICABLE FRAMING. REMOVED OLD PART#10 AND REPLACED WITH OLD PART#61. FOR APPLICABLE IN-LINE (BY-PASS) SWITCH PARTS AND COMPONENTS SEE DL8-104.1-0500 OR DL8-105.3-0500.	PC	MM	DK	MM
02	FEB 2022	GENERAL UPDATE TO PARTS, LAYOUTS AND NOTES 1 & 11. ELIMINATED POLE CLASS LIMITS IN NOTE 12. ADDED NOTE 14. CHANGED 'D2' TO 'FIG.2' AND REFERENCED MAIN LAYOUT AS 'FIG.1'.	PC	MM	MM	MM

Drawn By: SO	Checked By:	Designed By:	Design Approved By:
Scale: N.T.S.	Date: (yyyy/mm/dd)	Pole ID:	

hydro one **Hydro One Networks Inc.**

© Copyright Hydro One Networks Inc. All rights reserved. This drawing may not be reproduced or copied, in whole or in part, in any printed, mechanical, electronic, film, or other distribution and storage media or used in any information storage or retrieval system outside of Hydro One Networks Inc., without the written consent of Hydro One Networks Inc.

Information contained in this drawing is considered to be confidential. Recipients shall only use the drawing for its intended purpose and shall take necessary measures to prevent disclosure or transmittal to outside parties.

RETAIL METERING
PRIMARY 3-PH, 4-WIRE GROUNDED WYE (3-ELEMENT)
2.4/4.16kV TO 16/27.6kV

Drawing No. **DL11-302-0501** Rev. No. **03**

TITLE BLOCK REV 02 - AUGUST 2014