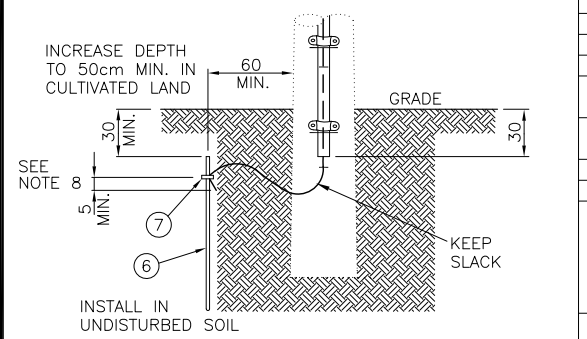


NOTES:

- FOR NEW INSTALLATIONS, A BUTT PLATE SHALL BE INSTALLED BENEATH THE POLE. IF A PORT-A-HOLE IS USED, THEN GROUND PER DL12-302-0500.
- 2/0 CCS AND ASSOCIATED MATERIALS SHALL BE USED FOR THE GROUNDING OF 27.6kV, 3-WIRE AND 44kV EQUIPMENT. SEE PARTS 2, 3, 7 AND 11.
- FOR INSTALLATIONS WITHOUT A NEUTRAL, WHERE GROUNDING MAY BE REQUIRED, EXTEND GROUND WIRE AND MOULDING TO A LOCATION NEAR THE FUTURE NEUTRAL OR EQUIPMENT GROUNDING.
- DETAIL 'D1' IS FOR USE ONLY WHEN NEW EQUIPMENT IS INSTALLED ON POLE WITH EXISTING GROUND.
- MAXIMUM OF TWO SPLICES ALLOWED ON POLE GROUND WIRE. TWO CONNECTORS IN FIG.1, BELOW GRADE OR ABOVE GRADE, COUNT AS ONE SPLICE.
- G.E.M. SHALL BE USED IN ROCKY AREAS WHERE THERE IS LITTLE TO NO SOIL FOR THE GROUND PLATE TO INTERFACE. INSTALL THE G.E.M. AT THE BOTTOM OF THE HOLE PRIOR TO SETTING POLE.
- FOR CONNECTORS SPECIFIC TO USE WITH COPPER CLAD STEEL (CCS) REFER TO SECTION 16.
- ENSURE AT LEAST 5cm OF CCS EXTENDS BEYOND THE CONNECTOR.
- SEE DL12-402-0500 FOR INSTALLATIONS IN POOR SOIL.
- GROUNDING REQUIREMENTS PER SUB-SECTION 12-3 TEXT.



PARTS LIST			
PART No.	MM No.	DESCRIPTION	QTY.
			FIG.1 FIG.2
1	30013881	STAPLE, 1-1/2"	A/R A/R
2	30034306	CONDUCTOR, CCS, #3 AWG	A/R A/R
	30034307	CONDUCTOR, CCS, 2/0 AWG	A/R A/R
3	30028496	CONNECTOR, C-COMPRESSION, FOR #3 AWG CCS	A/R A/R
	30007024	CONNECTOR, C-COMPRESSION, FOR #2/0 AWG CCS	A/R A/R
4	30034591	MOULDING, GROUND WIRE	A/R A/R
5	30013378	STAPLE, 3", MOULDING	A/R A/R
6	30014142	GROUND ROD, 3/4" x 10', GALV.	N/A 1
	30006646	CONNECTOR, GROUND ROD, FOR #3 AWG CCS	N/A 1
	30033620	CONNECTOR, GROUND ROD, FOR 2/0 AWG CCS	N/A 1
8	30025402	REDUCED DUST GROUND ENHANCEMENT MATERIAL (G.E.M.)	A/R N/A
9	MM#	CONNECTOR, TAP, WEDGE-TYPE FOR CCS	1 4
10	Δ	BOLT, LAG, GALV.	2 N/A
11	30032003	GROUND PLATE, 14", ROUND, CONDUCTIVE CONCRETE ENCASED, C/W 12' OF #3 AWG BARE, CCS WIRE.	1 N/A
	30032438	GROUND PLATE, 14", ROUND, CONDUCTIVE CONCRETE ENCASED, C/W 12' OF 2/0 AWG BARE, CCS WIRE.	1 N/A
12	30007255	CONNECTOR, WEDGE-TYPE, FOR #3 AWG CCS	A/R A/R
	30007243	CONNECTOR, WEDGE-TYPE, FOR 2/0 AWG CCS	A/R A/R
13	10000265	SLEEVE, CU. FOR #3 AWG CCS	A/R A/R
	30006539	SLEEVE, CU. FOR 2/0 AWG CCS	A/R A/R
14	30024726	CLAMP, 2-HOLE STRAP, 1/2", 3/16" DIA., GALV.	A/R A/R
15	30001734	ROOFING NAIL, GALV., 1-3/4" LG., 9-10 GAUGE	A/R A/R
MM# = REFER TO SECTION 16 ONLY		A/R = AS REQUIRED	
Δ = SUPPLIED WITH EQUIPMENT		N/A = NOT APPLICABLE	

ALL DIMENSIONS IN CENTIMETRES UNLESS OTHERWISE STATED

Rev No.	Date	Revision Particulars	dwn	ckd	des	app
10	FEB 2023	UPDATED NOTE 1 TO CALL FOR DL12-302-0500 PORT-A-HOLE GROUNDING IN NEW INSTALLATIONS. ADDED DIMENSION AND ADDITIONAL INFORMATION FOR THE BACKFILL IN FIG.1.	PC	MM	DK	MM
09	NOV 2020	ADDED PART'S #14 & 15 FOR MOULDING STAPLE ALTERNATIVE.	PC	SJ	SJ	MM

Drawn By: PC	Checked By:	Designed By:	Design Approved By:
Scale: N.T.S.	Date: (yyyy/mm/da)	Pole ID:	

**hydro one** Hydro One Networks Inc.

© Copyright Hydro One Networks Inc. All rights reserved. This drawing may not be reproduced or copied, in whole or in part, in any printed, mechanical, electronic, film, or other distribution and storage media or used in any information storage or retrieval system outside of Hydro One Networks Inc., without the written consent of Hydro One Networks Inc.

Information contained in this drawing is considered to be confidential. Recipients shall only use the drawing for its intended purpose and shall take necessary measures to prevent disclosure or transmittal to outside parties.

Title: GROUNDING FOR OVERHEAD INSTALLATIONS ON WOOD POLES GROUND PLATE OR GROUND ROD

Drawing No. DL12-301-0500

Rev. No. 10

TITLE BLOCK REV 02 - AUGUST 2014