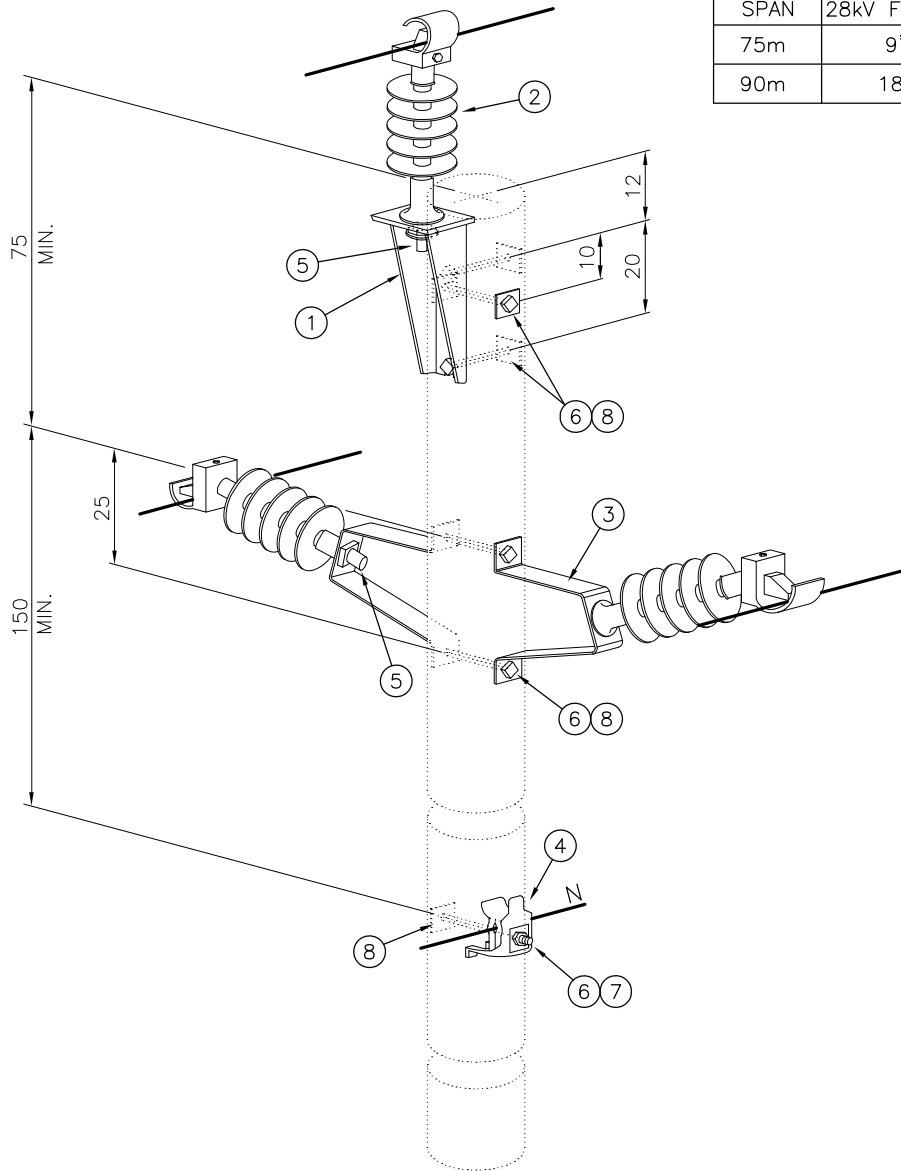


FOR MAX. SPAN	STAND-OFF BRACKET	
	28kV FRAMING	15kV FRAMING
75m	9"	9"
90m	18"	



ALL DIMENSIONS IN CENTIMETRES  
UNLESS OTHERWISE STATED

PARTS LIST			
PART No.	MM No.	DESCRIPTION	QTY.
1	30000800	BRACKET, POLE TOP, TANGENT	1
2	30008431	INSULATOR, LP15 WITH CLAMP OR	3
	30008430	INSULATOR, LP28, WITH CLAMP	
3	30000801	BRACKET, STAND-OFF (SEE SPAN)	2
	30000962		
4	30000808	CLAMP, NEUTRAL CONDUCTOR	1
	30029184		
5	30000905	STUD, INSULATOR, 3/4" x 3"	3
6	MM#	BOLT, 3/4"	6
7	10000108	LOCKWASHER, FOR 3/4" BOLT	1
8	30001595	WASHER, 3/4" x 2" x 2"	7
MM# = REFER TO SECTION 16 ONLY		A/R = AS REQUIRED	

02	MAY 2017	GENERAL UPDATES. CHANGED TO NEW DWG. & NUMBERING FORMAT. FOR PREVIOUS REVISIONS REFER TO DL3-106-R1.	SO	PC	MM	JB
01	AUG 2011	MM# ADDED	WB	PC		
Rev No.	Date	Revision Particulars	dwn	ckd	des	app

Drawn By: WB	Checked By: PC	Designed By:	Design Approved By:
Scale: N.T.S.	Date: (yyyy/mm/dd) 2011/08/25	Pole ID:	



**Hydro One Networks Inc.**

© Copyright Hydro One Networks Inc. All rights reserved. This drawing may not be reproduced or copied, in whole or in part, in any printed, mechanical, electronic, film, or other distribution and storage media or used in any information storage or retrieval system outside of Hydro One Networks Inc., without the written consent of Hydro One Networks Inc.  
Information contained in this drawing is considered to be confidential. Recipients shall only use the drawing for its intended purpose and shall take necessary measures to prevent disclosure or transmittal to outside parties.

Title:  
PRIMARY 3-PH TANGENT  
3Ø, 2.4/4.16kV TO 16/27.6kV

Drawing No.  
**DL3-106-0500**

Rev. No.  
**02**

TITLE BLOCK REV 02 - AUGUST 2014