

FIG. 1

INSTALLATION FOR AVERAGE & GOOD SOIL
 NOTE: OVERBURDEN UP TO 46(18") SHORT OF NORMAL SOIL SETTING DEPTH SHOWN.

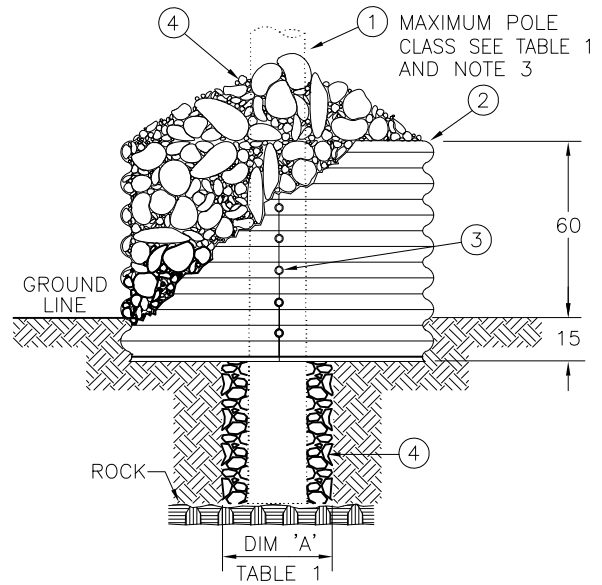


FIG. 2

INSTALLATION FOR POOR SOIL
 NOTE: OVERBURDEN UP TO 46(18") SHORT OF NORMAL SOIL SETTING DEPTH SHOWN.

TABLE 1: MAXIMUM POLE CLASS				
POLE HEIGHT (FT)	MAX POLE CLASS – SEE NOTE 3			
	POOR SOIL DIM 'A'=60	AVERAGE SOIL DIM 'A'=90	GOOD SOIL	
UP TO 40	5	4	4	2
45 TO 55	4	3	3	1
60 TO 65	3	2	2	1
70 TO 80	–	2	2	1

TABLE 2: INSTALLATION		
REQUIRED STEEL CULVERTS		
OVERBURDEN/SHORT OF NORMAL SOIL SETTING DEPTH	AVERAGE AND GOOD SOIL FIG. 1	POOR SOIL FIG. 2
UP TO 46cm (18")	60cm (2'-0")	60cm (2'-0")
FROM 46cm (18") TO 76cm (2'-6")	122cm (4'-0")	122cm (4'-0")

NOTES:

1. THE USE OF CULVERTS FOR PARTIAL SUBSTITUTION OF NORMAL SETTING DEPTH IN SOIL SHALL BE LIMITED TO TWO(2) ADJACENT POLE LOCATIONS.
2. POLES MUST BEAR ON BED ROCK.
3. THE FOUNDATION MOMENT CAPACITY WAS USED TO DETERMINE THE MAXIMUM POLE CLASS LIMITS. THE CALCULATED GROUNDLINE MOMENT PRODUCED BY THE MAXIMUM POLE CLASS MUST NOT BE EXCEEDED. POLES OF LESSER POLE CLASS MAY BE USED. FOR EXAMPLE IF TABLE 1 SHOWS CLASS 3 POLE THEN POLES OF CLASS 4 ARE ALSO SUITABLE.

PARTS LIST			
PART No.	MM No.	DESCRIPTION	QTY.
1	MM#	POLE	1
2	30000793	CRIBBING, 7' DIAMETER x 2' HIGH	1 or 2
3	MM#	BOLT, 1/2" x 1-1/4"	12 or 30
4	MM#	FIELD STONE OR GRAVEL	A/R
	30035627	GABION STONE, 200mm (8") OR	
	30035623	CRUSHER RUN, 100mm (4"), GRAN. "B" TYPE II	
MM# = REFER TO SECTION 16 ONLY			A/R = AS REQUIRED

ALL DIMENSIONS ARE IN CENTIMETRES UNLESS STATED OTHERWISE

02	AUG 2021	UPDATED TABLE FORMAT. REMOVED PREVIOUS NOTE 3 & 4. ADDED PART 4. UPDATED TO NEW DRAWING NUMBERING FORMAT. FOR PREVIOUS REVISIONS REFER TO DL4-207-R1.	LS	PC	JX	MM
01	AUG 2014	MODIFIED TABLE 1 TO INCLUDE 70', 75', & 80' POLES				
Rev No.	Date	Revision Particulars	dwn	ckd	des	app

Drawn By: BA	Checked By:	Designed By:	Design Approved By: *
Scale:	Date: (yyyy/mm/dd) *	Pole ID:	



© Copyright Hydro One Networks Inc. All rights reserved. This drawing may not be reproduced or copied, in whole or in part, in any printed, mechanical, electronic, film, or other distribution and storage media or used in any information storage or retrieval system outside of Hydro One Networks Inc., without the written consent of Hydro One Networks Inc.
 Information contained in this drawing is considered to be confidential. Recipients shall only use the drawing for its intended purpose and shall take necessary measures to prevent disclosure or transmittal to outside parties.

Title:
DEPTH OF POLE SETTING REDUCTION USING STEEL CULVERT SUPPORTS

Drawing No. DL4-207-0500	Rev. No. 02
-----------------------------	----------------

TITLE BLOCK REV 02 – AUGUST 2014