

FIG. 1  
SINGLE GUY

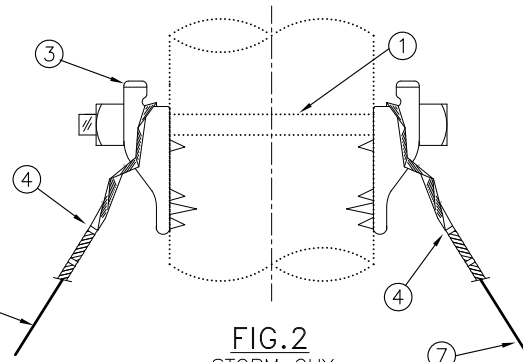


FIG. 2  
STORM GUY

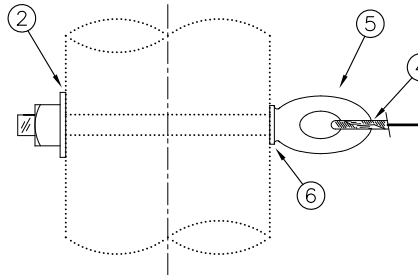


FIG. 3  
SPAN & ANCHOR GUY  
LINE POLE

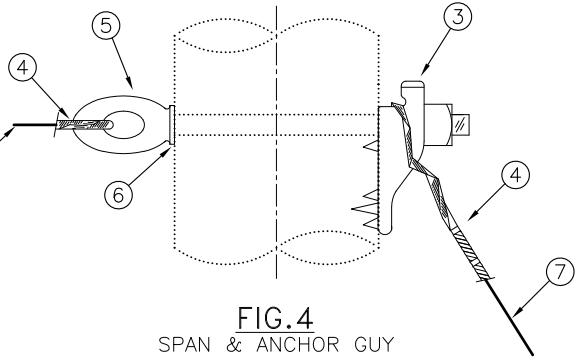


FIG. 4  
SPAN & ANCHOR GUY  
STUB POLE

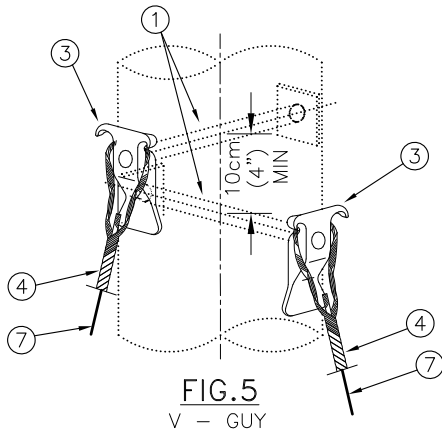


FIG. 5  
V - GUY

**NOTE:**

1. FOR ATTACHMENT OF DOUBLE CIRCUIT ARMLESS FRAMINGS REFER TO DWG. DL5-108-0500. ON THIS INSTALLATION.

**PARTS LIST**

PART No.	MM No.	DESCRIPTION	QTY.
1	MM#	BOLT, 3/4"	A/R
2	30001598	WASHER, 3/4" x 3" x 3" CURVED	A/R
3	30000737	HOOK, GUY, HORN TYPE	A/R
4	30000774	GRIP, GUY WIRE, 9mm	A/R
5	10000083	BOLT, EYE, THIMBLE 3/4"	A/R
6	30001595	WASHER, 3/4" x 2" x 2"	A/R
7	30002885	GUY WIRE 9mm	A/R

MM# = REFER TO SECTION 16 ONLY    A/R = AS REQUIRED

ALL DIMENSIONS IN CENTIMETRES  
UNLESS OTHERWISE STATED

Rev No.	Date	Revision Particulars	dwn	ckd	des	app
02	OCT 2022	GENERAL UPDATES. CHANGED TO NEW DWG. & NUMBERING FORMAT. FOR PREVIOUS REVISIONS REFER TO DL5-106-R1.	PC	MM	SP	MM
01	AUG 2013	MM#'S ADDED	SØ	PC		

Drawn By: BA	Checked By:	Designed By:	Design Approved By:
Scale:	Date: (yyyy/mm/dd) *	Pole ID:	



**Hydro One Networks Inc.**

© Copyright Hydro One Networks Inc. All rights reserved. This drawing may not be reproduced or copied, in whole or in part, in any printed, mechanical, electronic, film, or other distribution and storage media or used in any information storage or retrieval system outside of Hydro One Networks Inc., without the written consent of Hydro One Networks Inc.  
Information contained in this drawing is considered to be confidential. Recipients shall only use the drawing for its intended purpose and shall take necessary measures to prevent disclosure or transmittal to outside parties.

Title:  
ATTACHMENT OF GUYS "POLE FITTING"  
PRIMARY CIRCUITS

Drawing No.  
**DL5-106-0500**

Rev. No.  
**02**

TITLE BLOCK REV 02 - AUGUST 2014