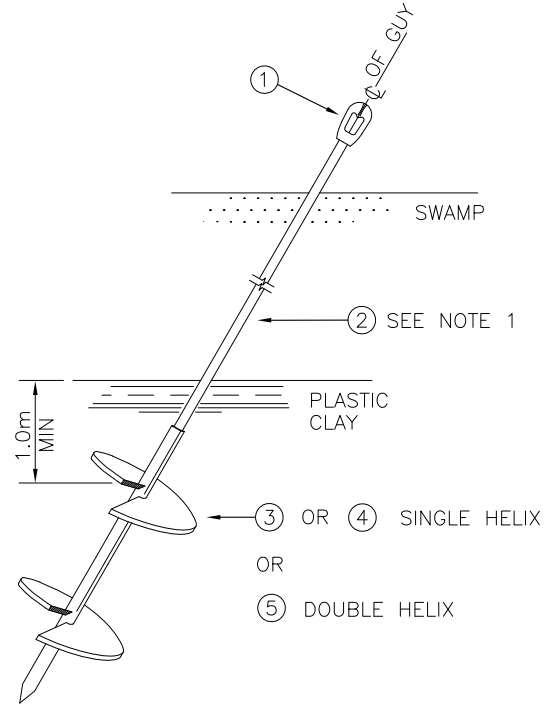


**FIG.1**  
P.I.S.A. IN SOIL



**FIG.2**  
P.I.S.A. IN SWAMP

**NOTE:**

1. IF EXTENSION ROD IS REQUIRED USE 1" x 3.5' LONG ANCHOR ROD COMPLETE WITH COUPLING. (MM# 30000838)

ALL DIMENSIONS IN CENTIMETRES UNLESS OTHERWISE STATED

PARTS LIST			
PART No.	MM No.	DESCRIPTION	QTY.
1	30000913	TWIN EYE NUT	1
2	30000909	ROD, ANCHOR, 1" x 7'-0"	1
3	30000967	ANCHOR 10" SINGLE HELIX SQ. HUB	1
4	30000950	ANCHOR 12" SINGLE HELIX	1
5	30000951	ANCHOR 10" DOUBLE HELIX	1
MM# = REFER TO SECTION 16 ONLY			A/R = AS REQUIRED

02	OCT 2022	GENERAL UPDATES. CHANGED TO NEW DWG. & NUMBERING FORMAT. FOR PREVIOUS REVISIONS REFER TO DL5-201-R1.	PC	MM	SP	MM
01	AUG 2013	MM#'S ADDED	SO	PC		
Rev No.	Date	Revision Particulars	dwn	ckd	des	app

Drawn By: BA	Checked By:	Designed By:	Design Approved By:
Scale:	Date: (yyyy/mm/dd) *	Pole ID:	



© Copyright Hydro One Networks Inc. All rights reserved. This drawing may not be reproduced or copied, in whole or in part, in any printed, mechanical, electronic, film, or other distribution and storage media or used in any information storage or retrieval system outside of Hydro One Networks Inc., without the written consent of Hydro One Networks Inc.  
Information contained in this drawing is considered to be confidential. Recipients shall only use the drawing for its intended purpose and shall take necessary measures to prevent disclosure or transmittal to outside parties.

Title:  
**POWER INSTALLED SCREW ANCHORS (P.I.S.A.) IN SOIL OR SWAMP**

Drawing No. <b>DL5-201-0500</b>	Rev. No. <b>02</b>
------------------------------------	-----------------------

TITLE BLOCK REV 02 – AUGUST 2014