

NOTES:

1. INSTALL METER BASE(S) INSIDE THE GROUND GRADIENT CONTROL GRID AND BOND METER BASE TO TRANSFORMER GROUND GRID.
2. MIX A BAG OF CONCRETE AND POUR AT THE BOTTOM OF THE POST PRIOR TO SETTING POST.
3. SPACE SURROUNDING CONDUITS IN USED OPENINGS SHALL BE FILLED WITH DUCT SEALING COMPOUND.
4. METER BASE MAY BE INSTALLED ON THE SAME POST OF NEUTRAL ISOLATOR IF PRESENT.
5. MAXIMUM FOUR SERVICES CAN BE CONNECTED TO THE TRANSFORMER, IF SUPPLYING DIFFERENT BUILDINGS ON THE SAME PROPERTY AND THE RATING OF THE CUSTOMER'S SERVICE DOES NOT EXCEED 600A.
6. SECONDARY CABLES, METER BASE, SUPPORTS TO BE SUPPLIED BY CUSTOMER; METER AND ASSOCIATED WIRING BY HYDRO ONE.
7. SEE SECTION RM7 OF RETAIL METERING STANDARDS FOR CT WIRING, METERING SELECTION TABLES AND METER GROUNDING.
8. DRAWING IS NOT APPLICABLE TO MICROPAD DUE TO INSUFFICIENT SPACE FOR CT'S IN ITS COMPARTMENT.
9. H1B PRIMARY CABLE CONNECTION NOT SHOWN FOR DRAWING CLARITY. SEE DU9-101-0500/0501 FOR CONNECTIONS, IF REQUIRED.
10. ONLY HYDRO ONE APPROVED METER BASE SHALL BE USED.
11. PART#S MARKED WITH "*" ARE SUPPLIED BY CUSTOMER; MM#S OF SUCH PARTS ARE FOR REFERENCE ONLY.
12. IF METERBASE MOUNTING HOLES ARE 5" OR GREATER APART HORIZONTALLY, INSTALL WITH PART #16 FROM HYDRO ONE APPROVED METERBASE LIST. ALTERNATIVELY USE PART #4 FOR DIRECT METERBASE SUPPORT TO THE LUMBER.
13. CONNECT POTENTIAL LEADS TO SEPARATE BOLT HOLE OF THE LV BUSHING. REFER TO 'D2'. ALTERNATIVELY CONNECT BACK TO BACK ON THE LV BUSHING WITH THE SERVICE CABLE, USING PART#21 AND LONGER BOLT.
14. TAPE METERING WIRE TO SERVICE WIRE TO PREVENT LOOSE WIRING.

PARTS LIST			
PART No.	MM No.	DESCRIPTION	QTY.
1	30007545	ADAPTER, RIGID CONDUIT, PVC, MALE THD., 3/4"	1
2	30007556	BEND, 3/4" x 4-3/4" RADIUS, PVC, 90 DEG	1
3	30007538	CONDUIT, PVC, 3/4"x10", BELL END	1
4	30001874	SCREW, WOOD, RND. HEAD #8 x 1-1/4"	A/R
5	30003210	STRAP, 3/4", 2-HOLE, GALV.	A/R
6	30001734	NAIL, 1-3/4" LONG, GALV. WITH NEOPRENE WASHER	A/R
7	MM#	CURRENT TRANSFORMER (CT)	2
8	30022056	5 COND. BUNDLE (#12 BK,R,R/W,R/BK,#10 G)	A/R
9	30008340	ELECTRICAL TAPE, PVC, BLACK	A/R
10	SEE NOTE 11	PRE-FAB CAP; P/T WOOD OR EQUIVALENT	1
11	SEE NOTE 11	METERBASE, 5-JAW, C/W TEST SWITCH	1
12	SEE NOTE 11	LUMBER, 6"x6"x10', PRESSURE TREATED	1
13	30035711	QUICK SETTING CONCRETE	1
14	SEE NOTE 11	SERVICE CABLE, 3-COND., U/G	A/R
15	30007652	LOCKNUT, FOR 3/4" TERMINAL ADAPTER	1
16	SEE NOTE 11	MOUNTING BRACKET KIT FOR METERBASE	A/R
17	30001184	BOLT 1/2" x 1-1/2", SI-BR	A/R
18	30001499	NUT, HEX., FOR 1/2" SI-BR BOLT	A/R
19	30001681	WASHER, FLAT, FOR 1/2", SI-BR BOLT	A/R
20	30001611	WASHER, SI-BR, LOCK, FOR 1/2" BOLT	A/R
21	30007163	CONNECTOR, TERMINAL, BOLTED, CU, #14-#8AWG, 1-HOLE	3
22	30009051	COMPOUND DUCT SEALING	A/R
23	30000346	PADLOCK	1
MM# = REFER TO SECTION 16 ONLY		A/R = AS REQUIRED	
△ = SUPPLIED WITH EQUIPMENT			

ALL DIMENSIONS IN CENTIMETERS UNLESS OTHERWISE STATED

01	SEPT 2023	ORIGINAL DU-03-214.1-0500-R1 IS NOW SUPERSEDED BY THIS NEW DRAWING/REVISION. CHANGED TO SECTION 11. GENERAL UPDATES. CHANGED TO NEW DWG. & NUMBERING FORMAT.	PC	MM	KX	MM	Drawn By: PC	Checked By: M.MATEVSKI	Designed By: K.XU	Design Approved By: M.MATEVSKI P.Eng.
Rev No.	Date	Revision Particulars	dwn	ckd	des	app	Scale: N.T.S.	Date: (yyyy/mm/dd) 2022/05/03	Pole ID:	Title:



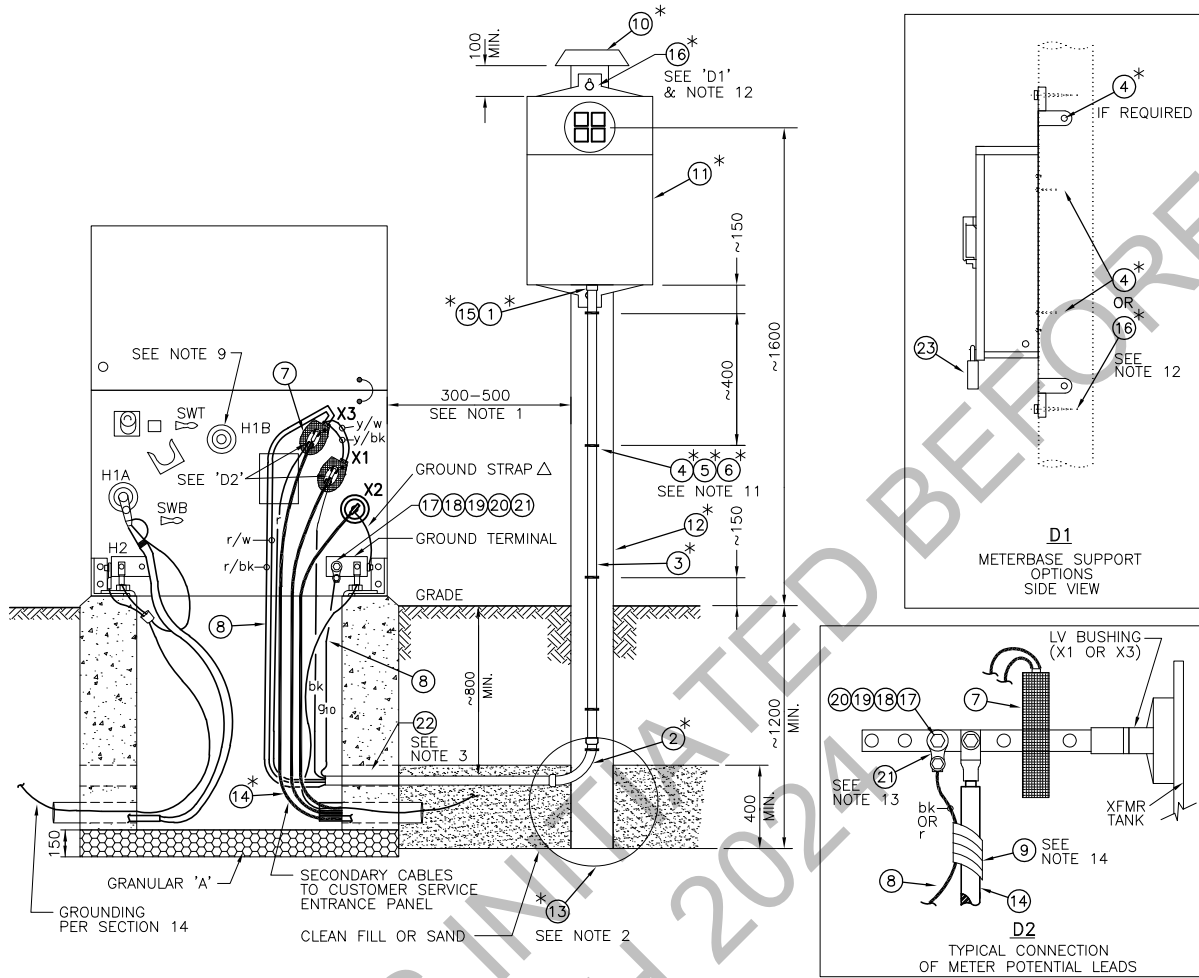
© Copyright Hydro One Networks Inc. All rights reserved. This drawing may not be reproduced or copied, in whole or in part, in any printed, mechanical, electronic, film, or other distribution and storage media or used in any information storage or retrieval system outside of Hydro One Networks Inc., without the written consent of Hydro One Networks Inc.
Information contained in this drawing is considered to be confidential. Recipients shall only use the drawing for its intended purpose and shall take necessary measures to prevent disclosure or transmittal to outside parties.

CENTRAL METERING
NEAR PAD-MOUNTED TRANSFORMER
1Ø, 120/240V, 3-WIRE

Drawing No. DU11-202-0500

Rev. No. 01

TITLE BLOCK REV 02 - AUGUST 2014



NOTES:

- INSTALL METER BASE(S) INSIDE THE GROUND GRADIENT CONTROL GRID AND BOND METER BASE TO TRANSFORMER GROUND GRID.
- MIX A BAG OF CONCRETE AND POUR AT THE BOTTOM OF THE POST PRIOR TO SETTING POST.
- SPACE SURROUNDING CONDUITS IN USED OPENINGS SHALL BE FILLED WITH DUCT SEALING COMPOUND.
- METER BASE MAY BE INSTALLED ON THE SAME POST OF NEUTRAL ISOLATOR IF PRESENT.
- MAXIMUM FOUR SERVICES CAN BE CONNECTED TO THE TRANSFORMER, IF SUPPLYING DIFFERENT BUILDINGS ON THE SAME PROPERTY AND THE RATING OF THE CUSTOMER'S SERVICE DOES NOT EXCEED 600A.
- SECONDARY CABLES, METER BASE, SUPPORTS TO BE SUPPLIED BY CUSTOMER; METER AND ASSOCIATED WIRING BY HYDRO ONE.
- SEE SECTION RM7 OF RETAIL METERING STANDARDS FOR CT WIRING, METERING SELECTION TABLES AND METER GROUNDING.
- DRAWING IS NOT APPLICABLE TO MICROPAD DUE TO INSUFFICIENT SPACE FOR CT'S IN ITS COMPARTMENT.
- H1B PRIMARY CABLE CONNECTION NOT SHOWN FOR DRAWING CLARITY. SEE DU-03-301 FOR CONNECTIONS, IF REQUIRED.
- ONLY HYDRO ONE APPROVED METER BASE SHALL BE USED.
- PART#S MARKED WITH "*" ARE SUPPLIED BY CUSTOMER; MM#S OF SUCH PARTS ARE FOR REFERENCE ONLY.
- IF METERBASE MOUNTING HOLES ARE 5" OR GREATER APART HORIZONTALLY, INSTALL WITH PART #16 FROM HYDRO ONE APPROVED METERBASE LIST. ALTERNATIVELY USE PART #4 FOR DIRECT METERBASE SUPPORT TO THE LUMBER.
- CONNECT POTENTIAL LEADS TO SEPARATE BOLT HOLE OF THE LV BUSHING. REFER TO 'D2'. ALTERNATIVELY CONNECT BACK TO BACK ON THE LV BUSHING WITH THE SERVICE CABLE, USING PART#21 AND LONGER BOLT.
- TAPE METERING WIRE TO SERVICE WIRE TO PREVENT LOOSE WIRING.

PARTS LIST			
PART No.	MM No.	DESCRIPTION	QTY.
1	30007545	ADAPTER, RIGID CONDUIT, PVC, MALE THD., 3/4"	1
2	30007556	BEND, 3/4" x 4-3/4" RADIUS, PVC, 90 DEG	1
3	30007538	CONDUIT, PVC, 3/4"x10", BELL END	1
4	30001874	SCREW, WOOD, RND. HEAD #8 x 1-1/4"	A/R
5	30003210	STRAP, 3/4", 2-HOLE, GALV.	A/R
6	30001734	NAIL, 1-3/4" LONG, GALV. WITH NEOPRENE WASHER	2
7	MM#	CURRENT TRANSFORMER (CT)	A/R
8	30022056	5 COND. BUNDLE (#12 BK,R,R/W/R/BK,#10 G)	A/R
9	30008340	ELECTRICAL TAPE, PVC, BLACK	A/R
10	SEE NOTE 11	PRE-FAB CAP; P/T WOOD OR EQUIVALENT	1
11	SEE NOTE 11	METERBASE, 5-JAW, C/W TEST SWITCH	1
12	SEE NOTE 11	LUMBER, 6"x6"x10", PRESSURE TREATED	1
13	30035711	QUICK SETTING CONCRETE	1
14	SEE NOTE 11	SERVICE CABLE, 3-COND., U/G	A/R
15	30007652	LOCKNUT, FOR 3/4" TERMINAL ADAPTER	1
16	SEE NOTE 11	MOUNTING BRACKET KIT FOR METERBASE	A/R
17	30001184	BOLT 1/2" x 1-1/2", SI-BR	A/R
18	30001499	NUT, HEX., FOR 1/2" SI-BR BOLT	A/R
19	30001681	WASHER, FLAT, FOR 1/2", SI-BR BOLT	A/R
20	30001611	WASHER, SI-BR, LOCK, FOR 1/2" BOLT	A/R
21	30007163	CONNECTOR, TERMINAL, BOLTED, CU, #14-#8AWG, 1-HOLE	3
22	30009051	COMPOUND DUCT SEALING	A/R
23	30000346	PADLOCK	1
MM# = REFER TO SECTION 16 ONLY		A/R = AS REQUIRED	
△ = SUPPLIED WITH EQUIPMENT			

ALL DIMENSIONS IN MILLIMETERS UNLESS OTHERWISE STATED

01	NOV 2021	ADDED 'D2' AND NOTE 13 & 14. UPDATED PARTS LIST TO CLARIFY METER BASE SUPPORTING HARDWARE AND METERING WIRES CONNECTIONS AND SUPPORTING HARDWARE AND ADDED PADLOCK.	PC	KX	KX	MM
Rev No.	Date	Revision Particulars	dwn	ckd	des	app
© Copyright Hydro One Networks Inc. All rights reserved. This drawing may not be reproduced or copied, in whole or in part, in any printed, mechanical, electronic, film, or other distribution and storage media or used in any information storage or retrieval system outside of Hydro One Networks Inc., without the written consent of Hydro One Networks Inc. Information contained in this drawing is considered to be confidential. Recipients shall only use the drawing for its intended purpose and shall take necessary measures to prevent disclosure or transmission to outside parties.						
Drawn By: PC Scale: N.T.S.			Checked By: M.MATEVSKI Date: 2020/07/20		Designed By: K.XU Pole ID:	
Title: CENTRAL METERING NEAR PAD-MOUNTED TRANSFORMER 1Ø, 120/240V, 3-WIRE						
Drawing No. DU-03-214.1-0500						Rev. No. 01