

NOTES:

1. CONTINUE MECHANICAL PROTECTION FROM SHORELINE UNTIL HYDRO ONE EQUIPMENT OR MINIMUM REQUIRED COVER IS REACHED.
2. FOR TRENCH DEPTHS AND COVER SEE SUB-SECTION 6-2 TEXT.
3. CONTINUE MECHANICAL PROTECTION 6m MINIMUM FROM "HISTORIC" (PER LOCAL KNOWLEDGE) LOW WATER MARK OR UNTIL MINIMUM WATER COVERAGE IS REACHED.

PARTS LIST

PART No.	MM No.	DESCRIPTION	QTY.
1	30030235	CONDUIT, FLEX, 3", NON-METALLIC	A/R
MM# = REFER TO SECTION 16 ONLY			A/R = AS REQUIRED

ALL DIMENSIONS IN CENTIMETRES
UNLESS OTHERWISE STATED

01	SEPT 2023	ORIGINAL DU-06-405.1-0500-R2 IS NOW SUPERSEDED BY THIS NEW DRAWING/REVISION. CHANGED TO SECTION 3. GENERAL UPDATES.	PC	MM	AS	MM
Rev No.	Date	Revision Particulars	dwn	ckd	des	app

Drawn By: PC	Checked By: M.MATEVSKI	Designed By: A.SAVOIE	Design Approved By: M.MATEVSKI P.Eng.
Scale: N.T.S.	Date: (yyyy/mm/dd) 2021/11/11	Pole ID:	



Hydro One Networks Inc.

© Copyright Hydro One Networks Inc. All rights reserved. This drawing may not be reproduced or copied, in whole or in part, in any printed, mechanical, electronic, film, or other distribution and storage media or used in any information storage or retrieval system outside of Hydro One Networks Inc., without the written consent of Hydro One Networks Inc.

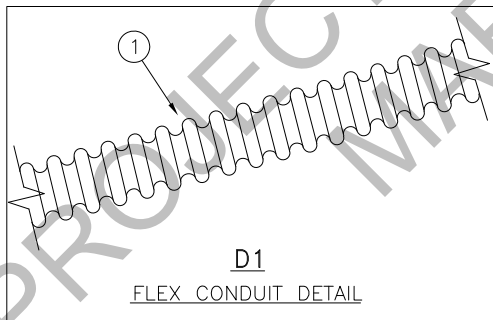
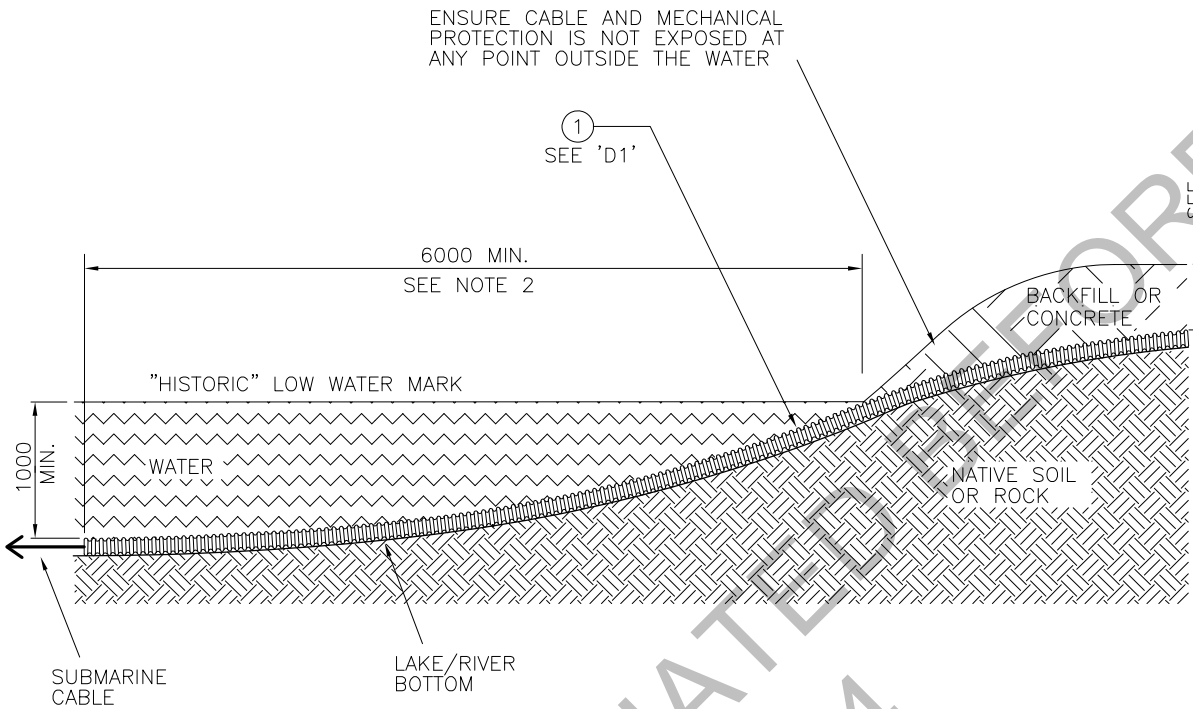
Information contained in this drawing is considered to be confidential. Recipients shall only use the drawing for its intended purpose and shall take necessary measures to prevent disclosure or transmittal to outside parties.

Title:
SHORELINE PROTECTION OF CABLES - LIGHT DUTY

Drawing No.
DU3-301-0500

Rev. No.
01

TITLE BLOCK REV 02 - AUGUST 2014



NOTES:

1. CONTINUE MECHANICAL PROTECTION FROM SHORELINE UNTIL HYDRO ONE EQUIPMENT OR MINIMUM REQUIRED COVER IS REACHED SEE SECTION 3. FOR TRENCH DEPTHS AND COVER SEE SECTION 6 TEXT.
2. CONTINUE MECHANICAL PROTECTION 6m MINIMUM FROM "HISTORIC" (PER LOCAL KNOWLEDGE) LOW WATER MARK OR UNTIL MINIMUM WATER COVERAGE IS REACHED.

ALL DIMENSIONS IN MILLIMETRES
UNLESS OTHERWISE STATED

PARTS LIST			
PART No.	MM No.	DESCRIPTION	QTY.
1	30030235	CONDUIT, FLEX, 3", NON-METALLIC	A/R
MM# = REFER TO SECTION 16 ONLY		A/R = AS REQUIRED	

02	OCT 2020	REMOVED 2" OPTION FOR CONDUIT FLEX, PREVIOUS PART #2 TO ALIGN WITH DU-03-209-0500 AND DU-03-209.1-0500. COMBINED PREVIOUS NOTES 1 & 2 AND MODIFIED CURRENT NOTE 2.	PC	SJ	SJ	MM
01	SEPT 2018	GENERAL UPDATES. CHANGED TO NEW DWG. & NUMBERING FORMAT. FOR PREVIOUS REVISIONS REFER TO DU-03-405.1-R0.	SO	PC	MM	PS
Rev No.	Date	Revision Particulars	dwn	ckd	des	app

Drawn By: PC/LS	Checked By:	Designed By:	Design Approved By:
Scale: N.T.S.	Date: (yyyy/mm/dd) 2013/12/13	Pole ID:	



Title: SHORELINE PROTECTION OF CABLES - LIGHT DUTY

© Copyright Hydro One Networks Inc. All rights reserved. This drawing may not be reproduced or copied, in whole or in part, in any printed, mechanical, electronic, film, or other distribution and storage media or used in any information storage or retrieval system outside of Hydro One Networks Inc., without the written consent of Hydro One Networks Inc.
Information contained in this drawing is considered to be confidential. Recipients shall only use the drawing for its intended purpose and shall take necessary measures to prevent disclosure or transmittal to outside parties.

Drawing No. DU-06-405.1-0500	Rev. No. 02
---------------------------------	----------------

TITLE BLOCK REV 02 - AUGUST 2014

