

NOTES:

1. CONTINUE MECHANICAL PROTECTION FROM SHORELINE UNTIL HYDRO ONE EQUIPMENT OR MINIMUM REQUIRED COVER IS REACHED.
2. FOR TRENCH DEPTHS AND COVER SEE SUB-SECTION 6-2.
3. CONTINUE MECHANICAL PROTECTION 6m MINIMUM FROM LOW WATER MARK OR UNTIL MINIMUM WATER COVERAGE IS REACHED.
4. TWO LAYERS OF ARMOUR WRAP ARE TO BE APPLIED ON THE CABLE, WITH EACH LAYER APPLIED WITH A HALF OVERLAP.

PARTS LIST

PART No.	MM No.	DESCRIPTION	QTY.
1	30026374	FIBREGLASS ARMOUR WRAP, FOR ALL CABLE SIZES & TYPES	A/R

MM# = REFER TO SECTION 16 ONLY | A/R = AS REQUIRED

ALL DIMENSIONS IN CENTIMETRES UNLESS OTHERWISE STATED

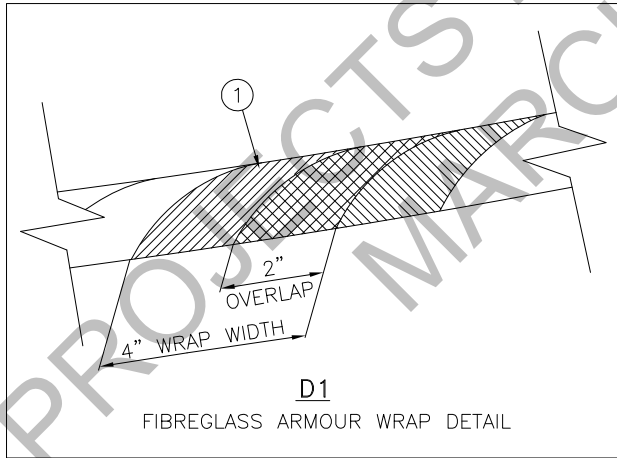
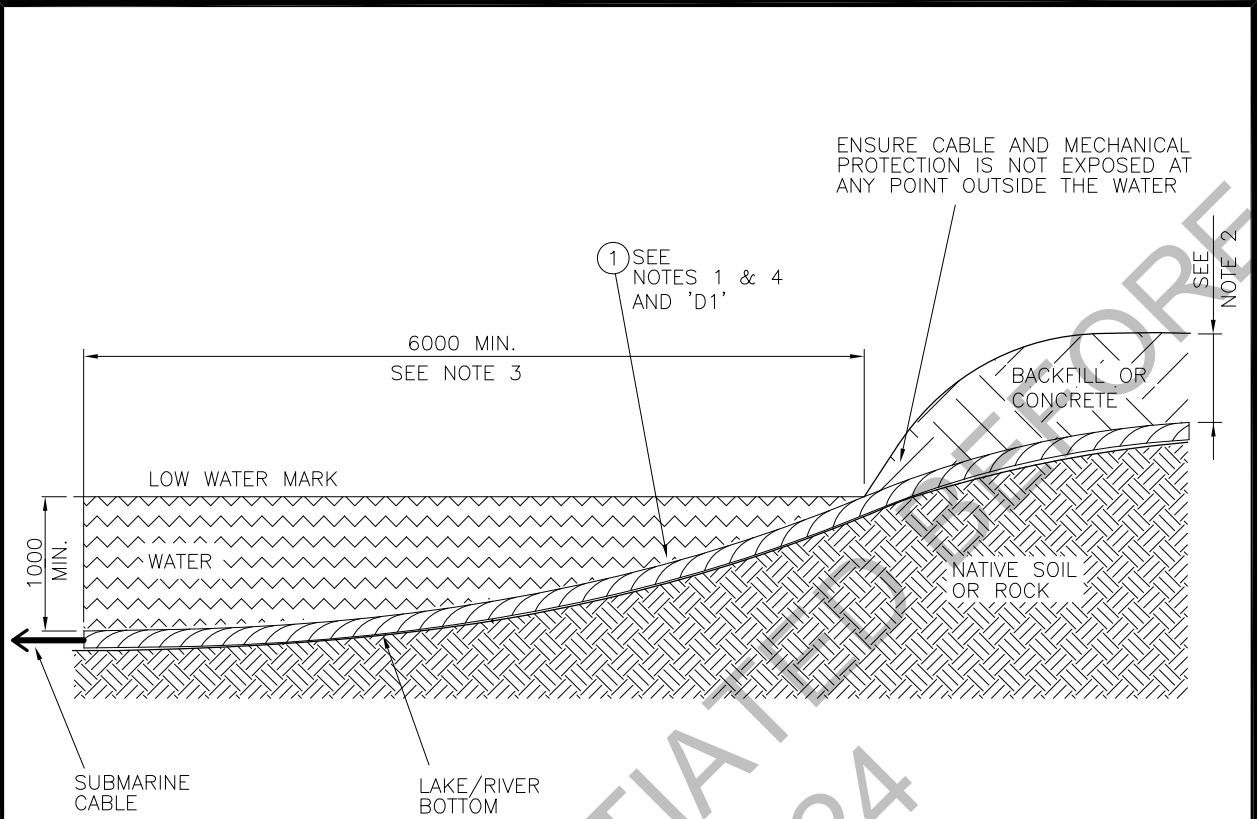
01	SEPT 2023	ORIGINAL DU-06-405.2-0500-R0 IS NOW SUPERSEDED BY THIS NEW DRAWING/REVISION. CHANGED TO SECTION 3. GENERAL UPDATES.	PC	MM	AS	MM	Drawn By: PC	Checked By: M.MATEVSKI	Designed By: A.SAVOIE	Design Approved By: M.MATEVSKI P.Eng.
Rev No.	Date	Revision Particulars	dwn	ckd	des	app	Scale: N.T.S.	Date: (yyyy/mm/dd) 2021/11/11	Pole ID:	



© Copyright Hydro One Networks Inc. All rights reserved. This drawing may not be reproduced or copied, in whole or in part, in any printed, mechanical, electronic, film, or other distribution and storage media or used in any information storage or retrieval system outside of Hydro One Networks Inc., without the written consent of Hydro One Networks Inc.
Information contained in this drawing is considered to be confidential. Recipients shall only use the drawing for its intended purpose and shall take necessary measures to prevent disclosure or transmittal to outside parties.

Title: SHORELINE PROTECTION OF CABLES - MEDIUM DUTY	
Drawing No. DU3-302-0500	Rev. No. 01

TITLE BLOCK REV 02 - AUGUST 2014



NOTES:

1. CONTINUE MECHANICAL PROTECTION FROM SHORELINE UNTIL HYDRO ONE EQUIPMENT OR MINIMUM REQUIRED COVER IS REACHED.
2. FOR TRENCH DEPTHS AND COVER SEE SECTION 6.
3. CONTINUE MECHANICAL PROTECTION 6m MINIMUM FROM LOW WATER MARK OR UNTIL MINIMUM WATER COVERAGE IS REACHED.
4. TWO LAYERS OF ARMOUR WRAP ARE TO BE APPLIED ON THE CABLE, WITH EACH LAYER APPLIED WITH A HALF OVERLAP.

PARTS LIST

PART No.	MM No.	DESCRIPTION	QTY.
1	30026374	FIBREGLASS ARMOUR WRAP, FOR ALL CABLE SIZES & TYPES	A/R

MM# = REFER TO SECTION 16 ONLY | A/R = AS REQUIRED

ALL DIMENSIONS IN MILLIMETRES UNLESS OTHERWISE STATED

Drawn By: SO	Checked By: PC	Designed By: A.SAVOIE	Design Approved By: P.SUPPIAH
Scale: N.T.S.	Date: (yyyy/mm/dd) 2018/10/10	Pole ID:	

Rev No.	Date	Revision Particulars	dwn	ckd	des	app
---------	------	----------------------	-----	-----	-----	-----

hydro one **Hydro One Networks Inc.**

© Copyright Hydro One Networks Inc. All rights reserved. This drawing may not be reproduced or copied, in whole or in part, in any printed, mechanical, electronic, film, or other distribution and storage media or used in any information storage or retrieval system outside of Hydro One Networks Inc., without the written consent of Hydro One Networks Inc.
Information contained in this drawing is considered to be confidential. Recipients shall only use the drawing for its intended purpose and shall take necessary measures to prevent disclosure or transmittal to outside parties.

Title:
SHORELINE PROTECTION OF CABLES – MEDIUM DUTY

Drawing No. DU-06-405.2-0500	Rev. No. 00
--	-----------------------

TITLE BLOCK REV 02 – AUGUST 2014