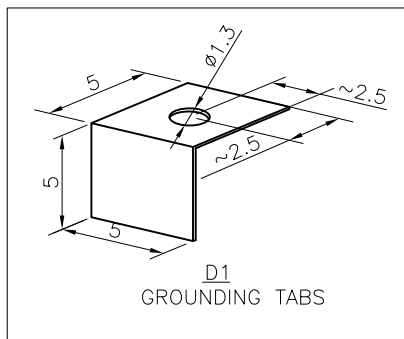


FIELD Poured CONCRETE LEVELING PAD FOR MICROPAD TRANSFORMER TOP VIEW (SEE DU4-904-0500 FOR DETAILS)



NOTES:

1. CONCRETE 28 DAY STRENGTH TO BE 20MPa. MINIMUM HEIGHT TO BE 15cm. THICKNESS MAY VARY DUE TO TERRAIN.
2. 5cm MINIMUM SCHEDULE 40 PVC CONDUITS TO SUIT MAIN CONDUITS. INSTALL AS MANY OPENING AS REQUIRED. 2.5cm MINIMUM CONDUITS FOR GROUNDINGS. UNUSED CONDUITS TO BE SEALED WITH PVC PLUGS OR CONCRETE.
3. POSITION AND NUMBER OF PVC SLEEVES AS REQUIRED. 15cm MINIMUM SEPARATION.

PARTS LIST

PART No.	MM No.	DESCRIPTION	QTY.
1	30011213	ALUMINUM BASE - 25kVA FOR MICROPAD TRANSFORMER	1
2	MM#	CONDUIT, SCHEDULE 40 PVC	A/R

MM# = REFER TO SECTION 16 ONLY | A/R = AS REQUIRED

ALL DIMENSIONS ARE IN CENTIMETRES UNLESS STATED OTHERWISE

01	SEPT 2023	ORIGINAL DU-09-601-R0 IS NOW SUPERSEDED BY THIS NEW DRAWING/REVISION. CHANGED TO SECTION 4. GENERAL UPDATES. CHANGED TO NEW DWG. & NUMBERING FORMAT. UPDATED NOTE #2 FOR CONDUIT REQUIREMENT. ADDED PART #2.	PC	MM	XZ	MM
Rev No.	Date	Revision Particulars	dwn	ckd	des	app

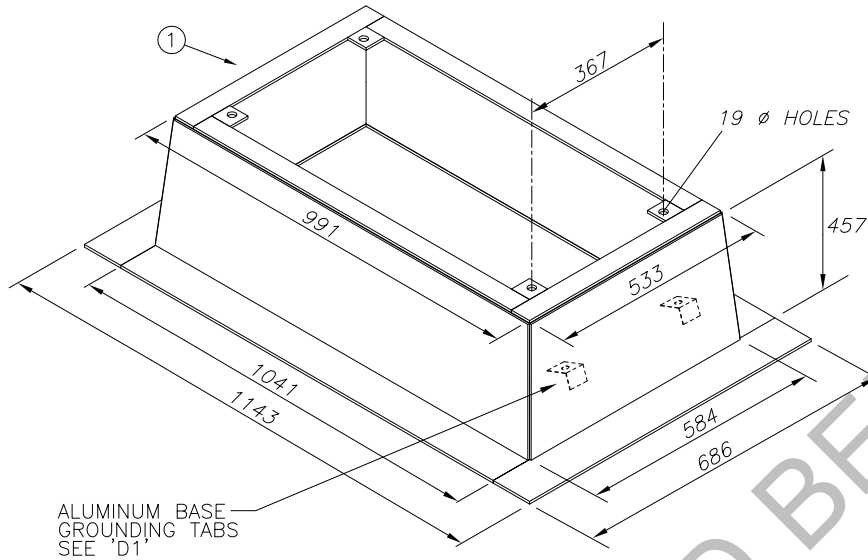
Drawn By: PC	Checked By: M.MATEVSKI	Designed By: X.ZHANG	Design Approved By: M.MATEVSKI P.Eng.
Scale: N.T.S.	Date: (yyyy/mm/dd) 2020/03/10	Pole ID:	



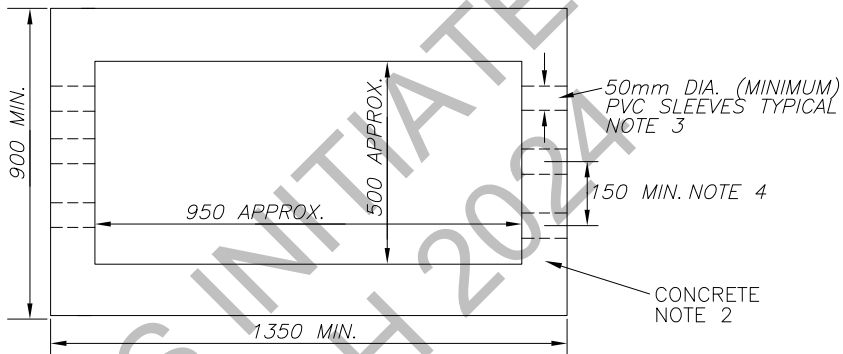
© Copyright Hydro One Networks Inc. All rights reserved. This drawing may not be reproduced or copied, in whole or in part, in any printed, mechanical, electronic, film, or other distribution and storage media or used in any information storage or retrieval system outside of Hydro One Networks Inc., without the written consent of Hydro One Networks Inc. Information contained in this drawing is considered to be confidential. Recipients shall only use the drawing for its intended purpose and shall take necessary measures to prevent disclosure or transmittal to outside parties.

Title: ALUMINUM BASE 1-PH MICROPAD TRANSFORMER	Drawing No. DU4-801-0500	Rev. No. 01
--	-----------------------------	----------------

TITLE BLOCK REV 02 - AUGUST 2014



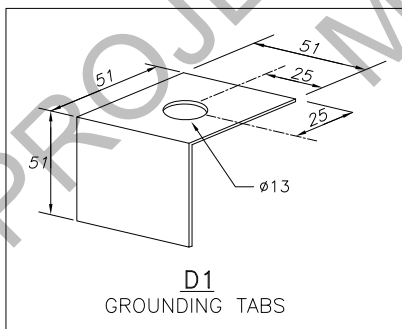
CONVERSION TABLE	
METRIC (mm)	IMPERIAL (APPROX)
6	1/4"
13	1/2"
19	3/4"
50	2"
150	6"
200	8"
367	1'-2"
457	1'-6"
500	1'-8"
533	1'-9"
584	1'-11"
686	2'-3"
900	2'-11"
950	3'-1"
991	3'-3"
1041	3'-5"
1143	3'-9"
1350	4'-5"



FIELD Poured CONCRETE LEVELING PAD FOR MICROPAD TRANSFORMER

NOTES:

1. ALL DIMENSIONS ARE IN mm UNLESS STATED OTHERWISE.
2. CONCRETE 28 DAY STRENGTH TO BE 20MPa. MINIMUM HEIGHT TO BE 150mm. THICKNESS MAY VARY DUE TO TERRAIN.
3. CABLE SLEEVES TO BE PVC DUCT CUT FLUSH WITH THE FACE OF THE CONCRETE PAD. UNUSED SLEEVES TO BE SEALED WITH PVC PLUGS OR CONCRETE.
4. POSITION AND NUMBER OF PVC SLEEVES AS REQUIRED. 150mm MINIMUM SEPARATION.



PARTS LIST			
PART No.	MM No.	DESCRIPTION	QTY.
1	30011213	ALUMINUM BASE - 25kVA FOR MICROPAD TRANSFORMER	A/R
MM# = REFER TO SECTION 16 ONLY		A/R = AS REQUIRED	

*	*	*	*	*	*
Rev. No.	Issue Date	Revision	Dwn	Approved By	Date
			Chk		

Hydro One Networks Inc.

Drawn: S.0ORT Approved: * Date: JUN.19,2014

ALUMINUM BASE - MICROPAD TRANSFORMER

© Copyright Hydro One Networks Inc. All rights reserved. This drawing may not be reproduced or copied, in whole or in part, in any printed, mechanical, electronic, film, or other distribution and storage media or used in any information storage or retrieval system outside of Hydro One Networks Inc., without the written consent of Hydro One Networks Inc. Information contained in this drawing is considered to be confidential. Recipients shall only use the drawing for its intended purpose and shall take necessary measures to prevent disclosure or transmittal to outside parties.

Dwg. No. DU-09-601	Rev. 00
---------------------------	----------------