

NOTES:

1. CHANNEL MUST BE FIELD DRILLED AND CUT TO LENGTH TO MATCH FOUNDATION OPENING.

PARTS LIST

PART No.	MM No.	DESCRIPTION	QTY.
1	30031724	BOLT, 1/2" X 1 1/2", GALV.	A/R
2	30001591	WASHER, ROUND, 1/2" GALV.	A/R
3	30002964	NUT, 1/2", WITH SPRING FOR CHANNEL	A/R
4	30002925	CHANNEL, 1-5/8" X 1-5/8", GALV.	A/R
5	30024586	BOLT, SLEEVE ANCHOR, 1/2" X 3"	2
6	30006394	CONNECTOR, SPLIT BOLT, CU, 1/2"	1
7	30000841	SUPPORT, CABLE TERMINATION	A/R
8	30008340	TAPE, BLACK PVC	A/R

MM# = REFER TO SECTION 16 ONLY | A/R = AS REQUIRED

ALL DIMENSIONS IN CENTIMETRES UNLESS OTHERWISE STATED

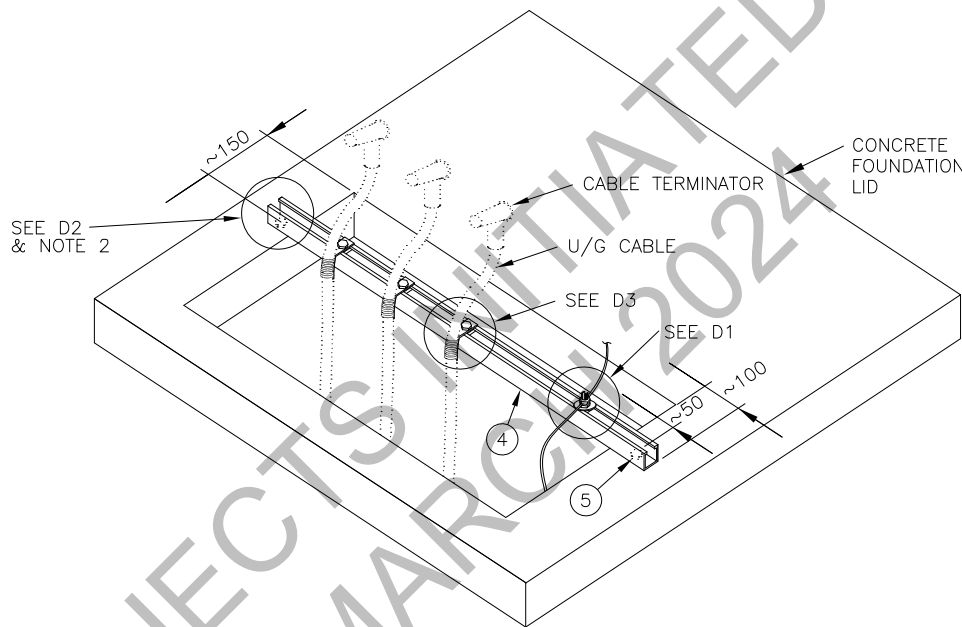
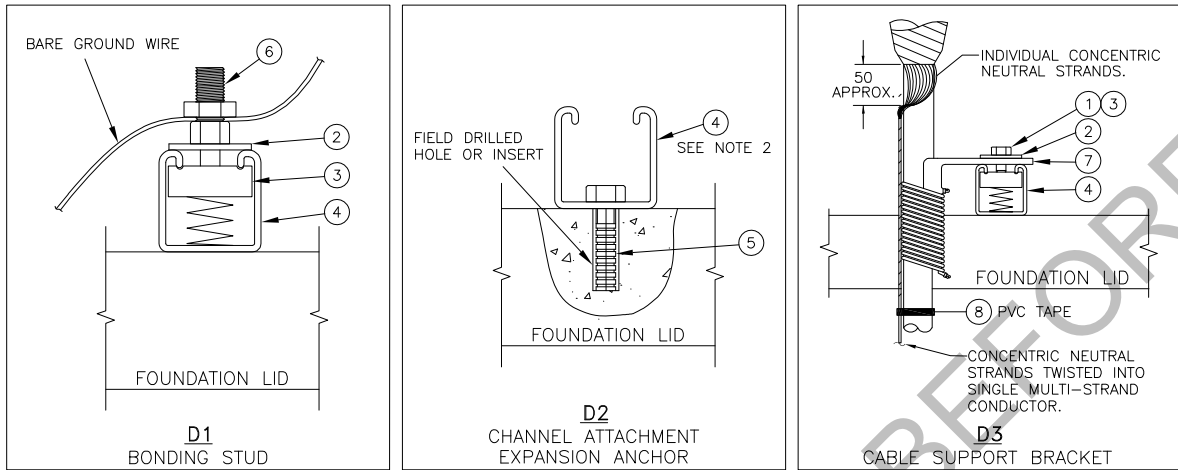
01	SEPT 2023	ORIGINAL DU-04-504-0500-RO IS NOW SUPERSEDED BY THIS NEW DRAWING/REVISION. CHANGED TO SECTION 7. GENERAL UPDATES.	PC	MM	KX	MM
Rev No.	Date	Revision Particulars	dwn	ckd	des	app



© Copyright Hydro One Networks Inc. All rights reserved. This drawing may not be reproduced or copied, in whole or in part, in any printed, mechanical, electronic, film, or other distribution and storage media or used in any information storage or retrieval system outside of Hydro One Networks Inc., without the written consent of Hydro One Networks Inc. Information contained in this drawing is considered to be confidential. Recipients shall only use the drawing for its intended purpose and shall take necessary measures to prevent disclosure or transmittal to outside parties.

Drawn By: PC	Checked By: M.MATEVSKI	Designed By: K.XU	Design Approved By: M.MATEVSKI P.Eng.
Scale: N.T.S.	Date: (yyyy/mm/dd) 2022/11/18	Pole ID:	
Title: PRIMARY CABLE TERMINATIONS CABLE SUPPORT BRACKETS 350-1000 kcmil			
Drawing No. DU7-434-0500			Rev. No. 01

TITLE BLOCK REV 02 - AUGUST 2014



PARTS LIST			
PART No	MM No	DESCRIPTION	QTY
1	30031724	BOLT, 1/2" X 1 1/2", GALV.	A/R
2	30001591	WASHER, ROUND, 1/2" GALV.	A/R
3	30002964	NUT, 1/2", W SPRING FOR CHANNEL	A/R
4	30002925	CHANNEL, 1-5/8" X 1-5/8", GALV.	A/R
5	30024586	BOLT, SLEEVE ANCHOR, 1/2" X 3"	2
6	30006394	CONNECTOR, SPLIT BOLT, CU, 1/2"	1
7	30008041	SUPPORT, CABLE TERMINATION	A/R
8	30008340	TAPE, BLACK PVC	A/R
			A/R = AS REQUIRED

**NOTES:**

- ALL DIMENSIONS ARE IN mm UNLESS STATED OTHERWISE.
- CHANNEL MUST BE FIELD DRILLED AND CUT TO LENGTH TO MATCH FOUNDATION OPENING.

**REFERENCES:**

- SECTION 1 – DEFINITIONS
- SECTION 3C – CONSTRUCTION GUIDE
- SECTION 16 – MATERIALS
- SECTION 14 – GROUNDING

Rev No.	Date	Revision Particulars	dwn	ckd	des	app
---------	------	----------------------	-----	-----	-----	-----



© Copyright Hydro One Networks Inc. All rights reserved. This drawing may not be reproduced or copied, in whole or in part, in any printed, mechanical, electronic, film, or other distribution and storage media or used in any information storage or retrieval system outside of Hydro One Networks Inc., without the written consent of Hydro One Networks Inc. Information contained in this drawing is considered to be confidential. Recipients shall only use the drawing for its intended purpose and shall take necessary measures to prevent disclosure or transmittal to outside parties.

Drawn By: LS	Checked By: PC	Designed By: K.SEYMOUR	Design Approved By: G.YAMASHITA
Scale: N.T.S.	Date: (yyyy/mm/dd) 07/03/2015	Pole ID:	

Title:  
PRIMARY CABLE TERMINATIONS  
CABLE SUPPORT BRACKETS  
350-1000 kcmil

Drawing No. DU-04-504-0500	Rev. No. 00
-------------------------------	----------------